

Maximum flexibility

Modular Counter Hot



The Fri-Jado Modular Counter range delivers a speedy and easy shopping experience for both customers and operators, through:

- A well-lit, clean and inviting hot, cold and ambient food system to cover all fresh food categories
- An ergonomic design providing easy access
- Unobstructed visibility for the customer
- Easy to adapt to any format within new stores or retrofits
- Providing the opportunity for increased basket sales through meal deals

Features MC Hot Curved

Top features

- Inline heated display cabinet, full-serve or self-serve
- Can be combined with refrigerated and ambient counters
- Available in 30 and 40" wide

Standard characteristics

- Product temperature maintained at 150°F
- Combination of hot air and heated shelving: ensures heat consistency
- Air circulation per shelf that holds temperature effectively
- Lighting on each shelf
- Thermo pane glass – increased insulation
- Double glass sliding doors, ideal for small areas with limited floor space
- Stainless steel and powder-coated interior and exterior
- Ideal for hot rolls, pies, pastries, chicken portions and other meal solutions
- Point-of-sales promotion options in price strips



POS options



MC 30 Cold Curved



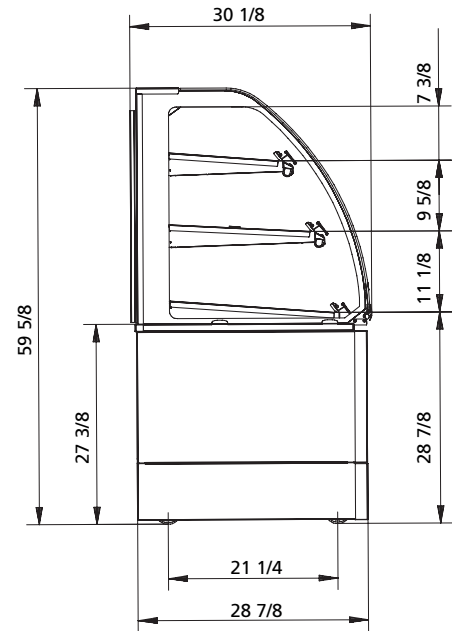
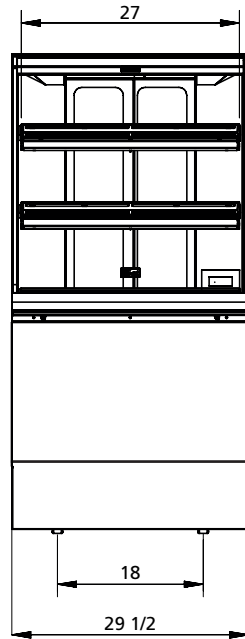
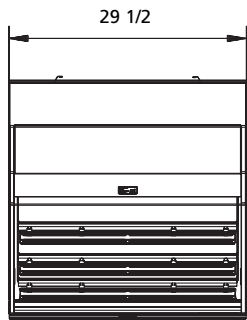
Three presentation levels



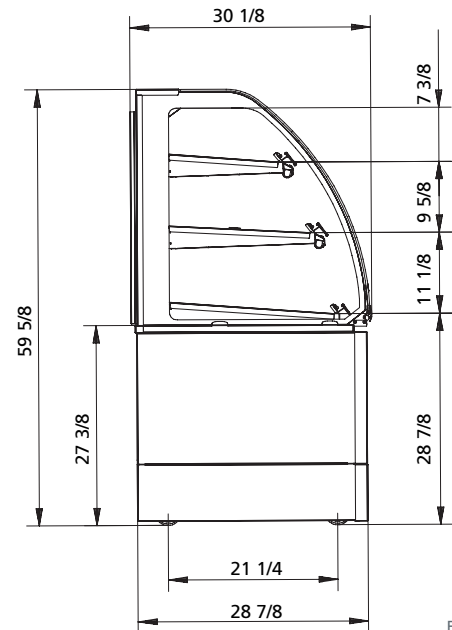
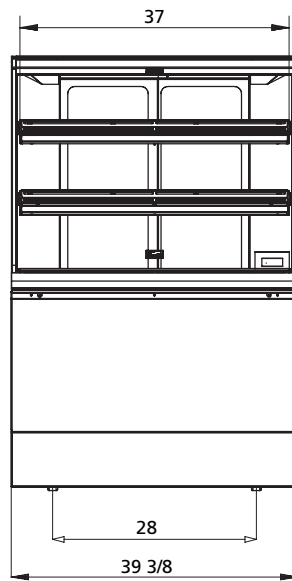
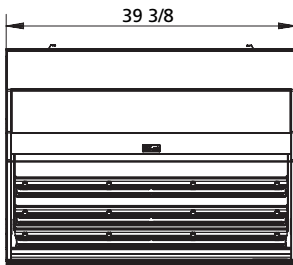
Various combinations possible

	MC 30 Hot FS	MC 30 Hot SS	MC 40 Hot FS	MC 40 Hot SS
Width	29 1/2 inch	29 1/2 inch	39 3/8 inch	39 3/8 inch
Depth	30 1/8 inch	30 1/8 inch	30 1/8 inch	30 1/8 inch
Height	60 inch	60 inch	60 inch	60 inch
Net weight	300 lbs	300 lbs	368 lbs	368 lbs
Gross weight	414 lbs	401 lbs	467 lbs	454 lbs
Voltage	1~208 V	1~208 V	1~208 V	1~208 V
Frequency	50/60 Hz	50/60 Hz	50/60 Hz	50/60 Hz
Power	2.9 kW	2.9 kW	2.9 kW	2.9 kW
Plug	NEMA 6-20P	NEMA 6-20P	NEMA 6-20P	NEMA 6-20P

MC 30 Hot Square



MC 40 Hot Curved



Specifications and technical data are subject to amendment without notice.

These are basic drawings. For more detailed technical information, please refer to the installation manual at www.frijado.com.



Fri-Jado Inc.
 1401 Davey Road
 Suite 100
 Woodridge IL 60517
 Toll free 877-374-5236
 Fax 630-689-1424
 e-mail us.info@frijado.com
usa.frijado.com