

# Maximum flexibility

Modular Counter  
Cold



**The Fri-Jado Modular Counter range delivers a speedy and easy shopping experience for both customers and operators, through:**

- A well-lit, clean and inviting hot, cold and ambient food system to cover all fresh food categories
- An ergonomic design providing easy access
- Unobstructed visibility for the customer
- Easy to adapt to any format within new stores or retrofits
- Providing the opportunity for increased basket sales through meal deals

## Features MC Cold Curved

### Top features

- Inline refrigerated display cabinet, full-serve and self-serve
- Can be combined with heated and ambient counters
- Available in 30 and 40" wide

### Standard characteristics

- Product temperature maintained at 41° or lower
- Air circulation technology that holds temperature effectively
- Lighting on each shelf
- Thermo pane glass – increased insulation
- Double glass sliding doors, ideal for small areas with limited floor space
- Stainless steel and powder-coated interior and exterior
- Ideal for sandwiches, rolls, dairy products, drinks and other meal solutions
- Point-of-sales promotion options in price strips



MC Cold Curved self-serve



MC 40 Hot Curved



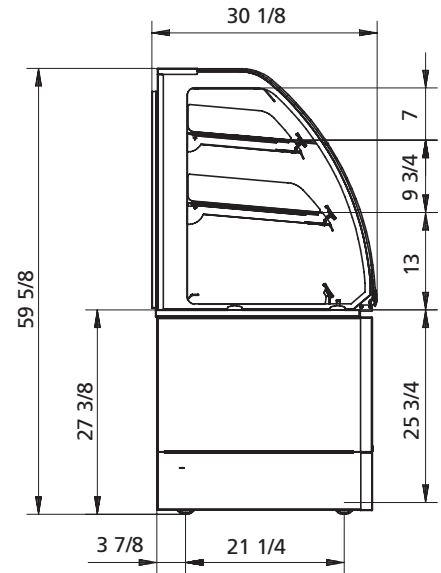
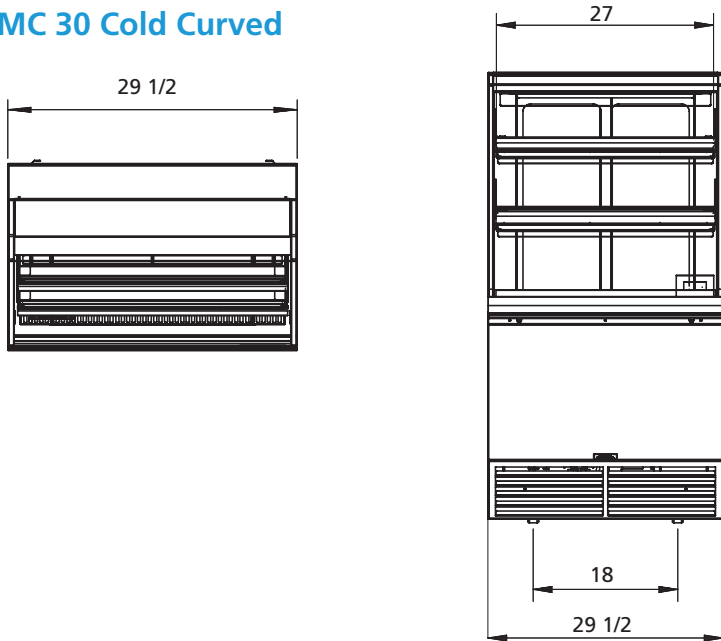
Three presentation levels



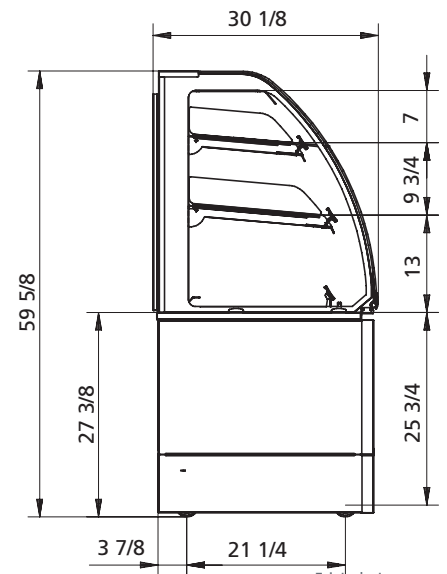
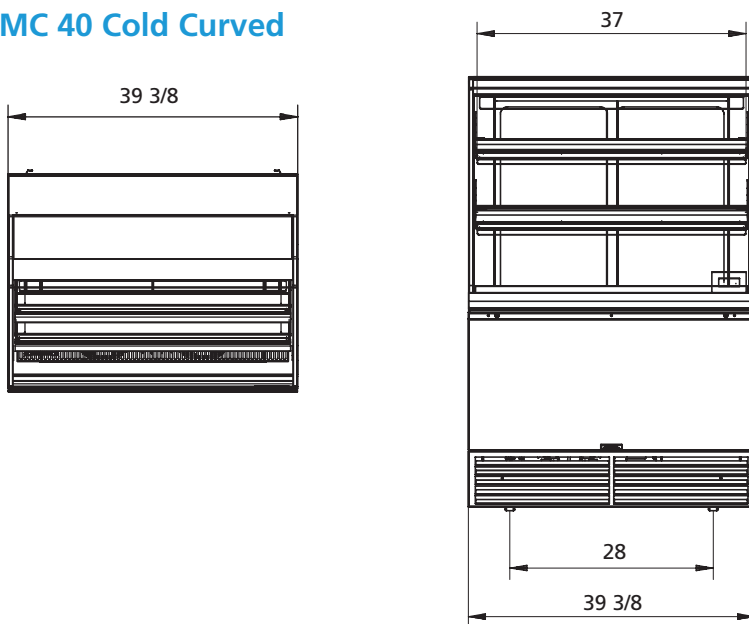
Various combinations possible

	MC 30 Cold Curved	MC 40 Cold curve
Width	29 1/2 inch	39 3/8 inch
Depth	30 1/8 inch	30 1/8 inch
Height	60 inch	60 inch
Net weight	355 lbs	419 lbs
Gross weight	414 kg	494 lbs
Temperature class (NSF 7)	Type 1	Type 1
Voltage	1~115 V	1~115 V
Frequency	60 Hz	60 Hz
Power	1,4 kW	1,4 kW
Plug	NEMA 5-20P	NEMA 5-20P

### MC 30 Cold Curved



### MC 40 Cold Curved



Fri-Jado Inc.

1401 Davey Road

Suite 100

Woodridge IL 60517

Toll free 877-374-5236

Fax 630-689-1424

e-mail [us.info@frijado.com](mailto:us.info@frijado.com)

[usa.frijado.com](http://usa.frijado.com)

Specifications and technical data are subject to amendment without notice.

These are basic drawings. For more detailed technical information, please refer to the installation manual at [www.frijado.com](http://www.frijado.com).

