

# Fast and energy saving

TDR 7/8 Manual



**The Turbo Deli Rotisserie is the fastest original rotisserie in the industry. The TDR's cavity is fed with fresh air, cooking a rotisserie chicken as it is meant to be: crispy and delicious while maintaining an attractive appearance for hours.**

The TDR pushes the air throughout the cavity, resulting in an improved heat transfer on the products. It consumes less electricity during the preparation process. Add to this the improved cooking time and you have the most energy efficient rotisserie and a high output.

The double glass doors create a striking, large display section that maximises your products' visual appeal to customers! It also offers perfect insulation with contact temperatures below 70°C.

## Features TDR 7/8 Manual

### Top features

- Controls with manual settings
- Set time, temperature and start of the rotisserie
- Efficient heat transfer reduces energy consumption

### Standard characteristics

- 8 Meat fork or V-spit positions, 7 basket or rack positions
- Rotor for up to 40 chicken (2.6 lbs) per batch
- Outstanding food quality: high speed convection for even cooking
- Outstanding food quality: radiant heat for uniform browning
- Striking display created by infrared halogen lamps
- Rotor button on both sides
- Safety stop when opening the door
- Double glass doors, safe to touch
- Door at control side, optional door on customer side
- No water and drain connections needed
- Removable parts for easy cleaning
- Simplified deep cleaning
- High quality stainless steel construction, interior and exterior
- Matching stand on casters

### Accessories

- Meat forks
- Multi-purpose baskets
- V-spits
- Chicken racks
- Door handle set on customer side for pass through operation

### Optional

- Double stacked unit
- Ventless hood



Manual controls



Rotor button on customer side

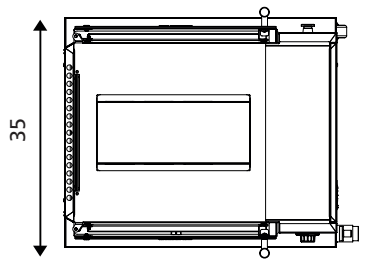


Ventless hood (optional)

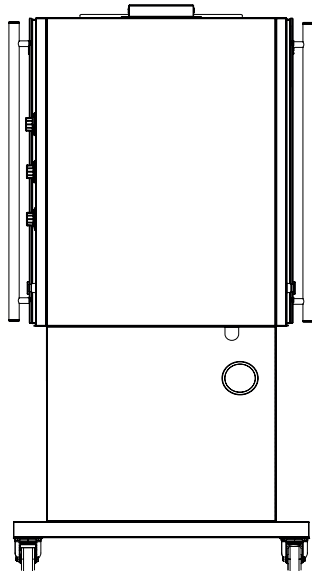
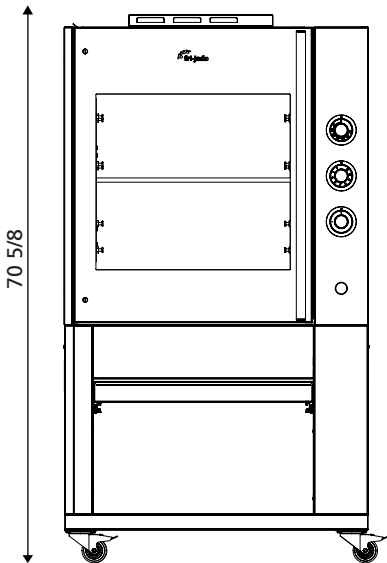


Matching stand on casters

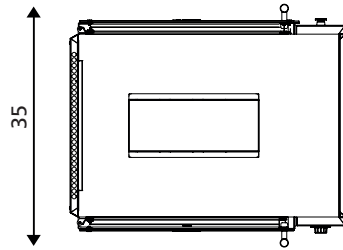
## TDR 7/8



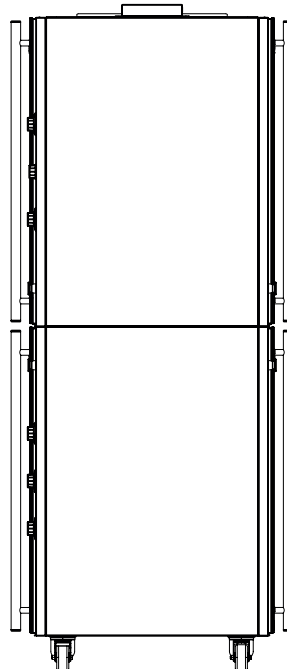
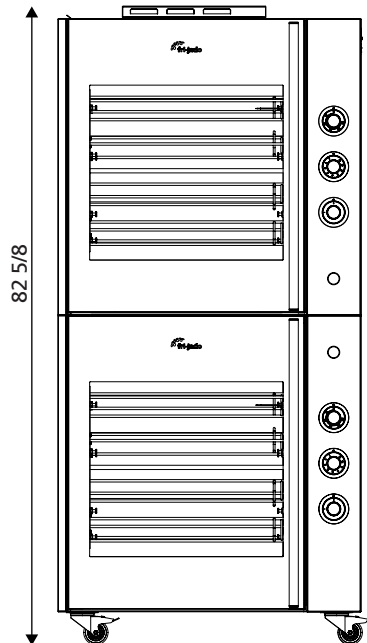
39 3/8



## TDR 7/8+7/8



39 3/8



## TDR 7/8 Manual

- 1 Power cable 75"
- 2 Exhaust opening
- 3 Space to the wall
- 4 Location for socket

### Dimensions TDR 7/8

Width	39 3/8"
Depth	35"
Height on stand	70 5/8"

### Technical data TDR 7/8

Net weight	408 lbs
Gross weight	463 lbs
Voltage	208 V
Phase	3~
Frequency	50/60 Hz
Power	10.5 kW
Plug	NEMA 15-50P

### Dimensions TDR 7/8+7/8

Width	39 3/8"
Depth	35"
Height	82 5/8"
Width on low profile stand	46 5/8"
Depth on low profile stand	35"
Height on low profile stand	79 3/8"

### Technical data TDR 7/8+7/8

Net weight	827 lbs
Gross weight	937 lbs
Voltage	208 V
Phase	3~
Frequency	50/60 Hz
Power	10.5 kW (2x)
Plug	NEMA 15-50P (2x)

Specifications and technical data are subject to amendment without prior notice.

These are basic drawings. For more detailed technical information, please refer to the installation manual at [www.frijado.com](http://www.frijado.com).

