

Maximum flexibility

Modular Counter Ambient



The Fri-Jado Modular Counter range delivers a speedy and easy shopping experience for both customers and operators, through:

- A well-lit, clean and inviting hot, cold and ambient food system to cover all fresh food categories
- An ergonomic design providing easy access
- Unobstructed visibility for the customer
- Easy to adapt to any format within new stores or retrofits
- Providing the opportunity for increased basket sales through meal deals

Features MC Ambient Curved

Top features

- Inline ambient display cabinet, full-serve and self-serve
- Can be combined with heated and refrigerated counters
- 40" wide

Standard characteristics

- Lighting on each shelf
- Double glass sliding doors, ideal for areas with limited floorspace
- Stainless steel and powder-coated interior and exterior
- Ideal for cake, doughnuts, muffins, pies and other meal solutions
- Point-of-sales promotion options in price strips



MC Curved with doors



MC 40 Hot Curved



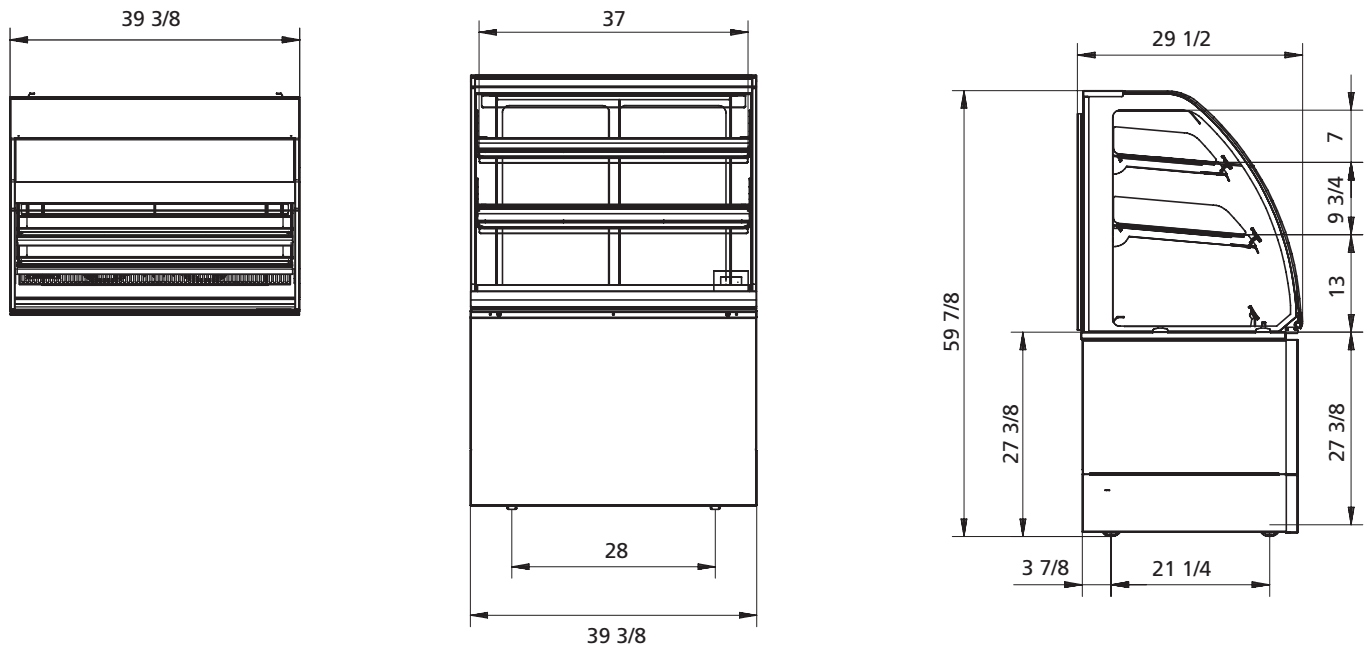
Three presentation levels



Various combinations possible

	MC 40 Ambient FS	MC 40 Ambient SS
Width	39 3/8 inch	39 3/8 inch
Depth	29 1/2 inch	29 1/2 inch
Height	59 7/8 inch	59 7/8 inch
Net weight	308 lbs	297 lbs
Gross weight	370 lbs	359 lbs
Voltage	1~115 V	1~115 V
Frequency	50/60 Hz	50/60 Hz
Power	0.5 kW	0.5 kW
Plug	NEMA 5-20P	NEMA 5-20P

MC 40 Ambient Curved



Specifications and technical data are subject to amendment without notice.

These are basic drawings. For more detailed technical information, please refer to the installation manual at www.frijado.com.



Fri-Jado Inc.
 1401 Davey Road
 Suite 100
 Woodridge IL 60517
 Toll free 877-374-5236
 Fax 630-689-1424
 e-mail us.info@frijado.com
usa.frijado.com