

Cold

Custom Counter

Your deli products look DELicious in our full serve or self serve Cold Custom Counter. This model has been designed for presentation of packed and unpacked products that are not prone to dehydration such as cheese, meat products and meals.

In the spotlight

LED light makes your products look bright and fresh! Your chilled products enjoy optimal product temperatures thanks to superior refrigeration technology. The Cold model has the highest stacking height in our range.



Key Features Custom Counter Cold

- Curved or Unisquare (squared) lift-up glass
- OmniCold refrigeration system: products are surrounded by a cold airflow from all sides, guaranteeing optimal product temperatures under all conditions whilst saving energy
- LED light (cool white / neutral white / warm white / extra warm white / meat enhancing)
- Optional blackened stainless steel interior
- Optional front lighting
- Flat deck, stepped deck or GN pans interior
- Large customizable worktop (11") with optional accessory rail to mount cutting boards, sliding scale platforms, bag hooks etc.
- Various bumper options
- Customizable cladding and materials
- Integral or remote refrigeration
- Optional night covers
- Modular and connectable with other Custom Counter models



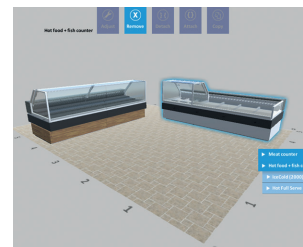
Lift-up glass opens in its own space



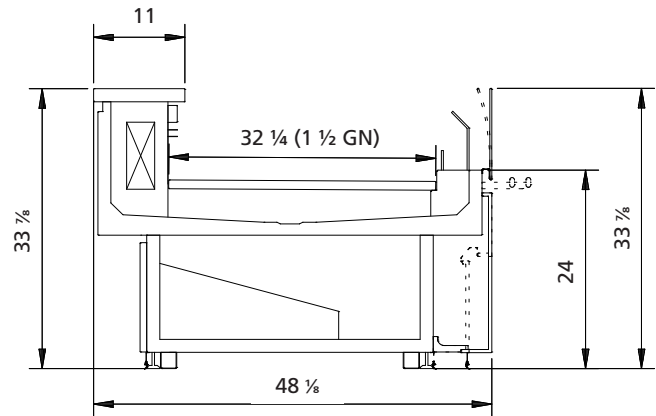
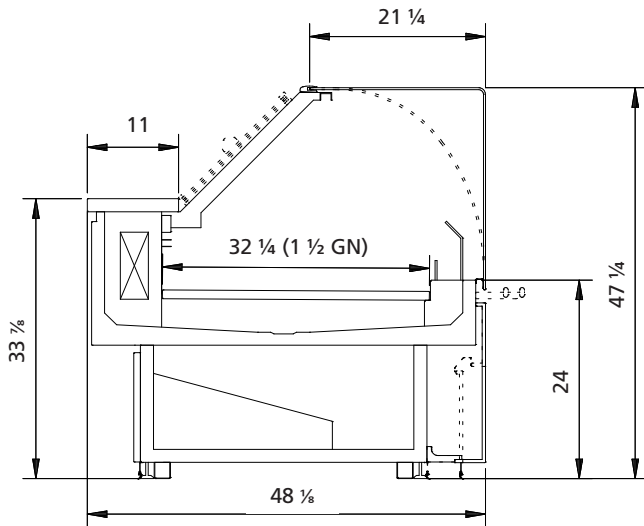
LED light



Customizable cladding and materials



Custom Counter Configurator



Technical specifications

Model	Cold full serve, self serve
Length options (")	30, 40, 50, 60, 70, 80, 90, 100, 110, 120, 130, 140, 150*
Nominal voltage	1~ 208V 50/60Hz
Product temperature	Type 1 (T < 41 °F) according to NSF 7**
Presentation area depth	32 1/4" or 1 1/2 GN
Refrigeration load	50-150 BTU/hr/ft***
Refrigeration capacity	400 BTU/hr/ft
Evaporation temperature	Up to 25 °F
Stacking height - standard interior	Up to 7 7/8"
Stacking height - lowered interior	Up to 9 1/8"
Glass	Curved or Unisquare (squared) lift-up glass
Lighting	LED cool white / neutral white / warm white / extra warm white / meat enhancing
Technology	OmniCold: mild airflow, rear evaporator coil, chilled deck
Refrigerant options (other refrigerants on request)	Remote Glycol, R404A, R407F, R448A, R449A, R452A, R507A, R513A, R744 (CO ₂) Integral R134a, R1234yf
Interior configuration	Flat deck, stepped deck, GN pans
Interior material	Stainless steel AISI 304 (optional blackened)
Exterior	Customizable cladding and materials. Various bumper options.
Worktop	Large customizable worktop (11") with optional accessory rail to mount cutting boards, sliding scale platforms, bag hooks etc.
Water drainage	Permanent drain

* Minimum and/or maximum length may be limited by selected refrigeration options.

** Depending on store temperature, interior configuration, stacking height and evaporation temperature.

*** 24 hour average. Effective refrigeration energy consumption depends on store conditions, product load and cabinet configuration

Specifications and technical data are subject to amendment without prior notice. Please check www.frijado.com for the latest information and specifications.



Fri-Jado Inc.
1401 Davey Road
Suite 100
Woodridge IL 60517
Toll free 877-374-5236
Fax 630-689-1424
e-mail us.info@frijado.com
usa.frijado.com