

Simple and effective

Ventless Hood
TDR-7/8 S Auto-Clean
TDR-7/8 S + 7/8 S Auto-Clean

The features of the TDR Rotisserie Ventless Hood are as simple as they are effective.

The Fri-Jado ventless hood offers a low-cost venting solution; it gives you the flexibility to position a rotisserie anywhere in the store. No need for a central ventilation system.

The ventless hood has an advanced filtration process which removes virtually all smoke, grease particles and odors from the air stream and returns fresh air to ambient conditions; no disturbance of your store climate!

The ventless hood is a self-contained venting system and has a matching design with the single or double stacked electric auto-clean rotisseries (7/8 models).



Features Ventless Hood

Top features

- Eliminates need for central ventilation system
- Extracts smoke, fat and odors through a powerful filtration system
- Recirculates air through five charcoal filters
- Filters easily accessed from front of unit
- Flexibility - position TDR anywhere in the store
- Noise level under 70 db
- Separate power connection

Standard characteristics

- Easy to clean
- Easy to install
- Matching design with TDR Auto-Clean

Accessories

- Charcoal filter, set of 5

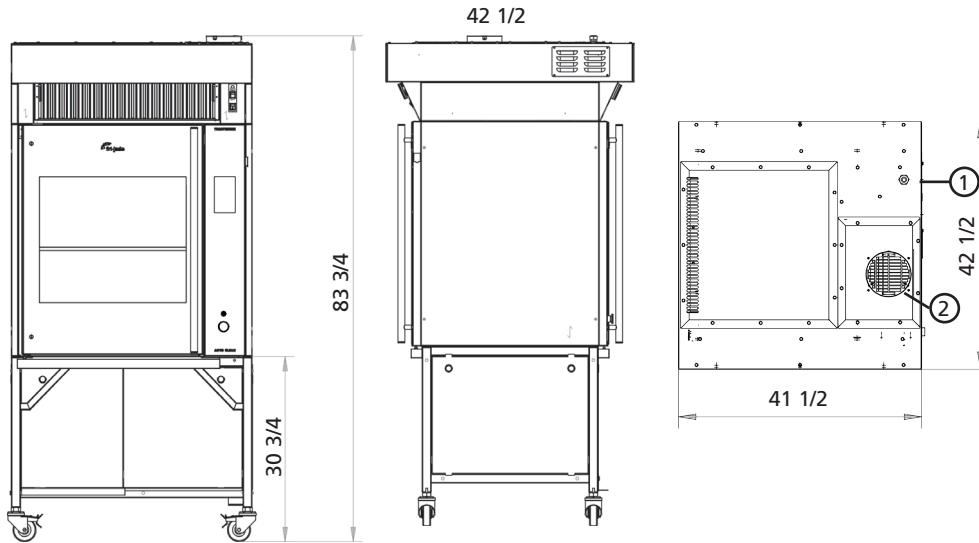


TDR-7/8 S Auto-Clean with Ventless Hood



TDR-7/8 S + 7/8 S Auto-Clean with Ventless Hood

TDR-7/8 S Auto-Clean with Ventless Hood



Ventless Hood

- 1 Power cable
- 2 Exhaust pipe hood

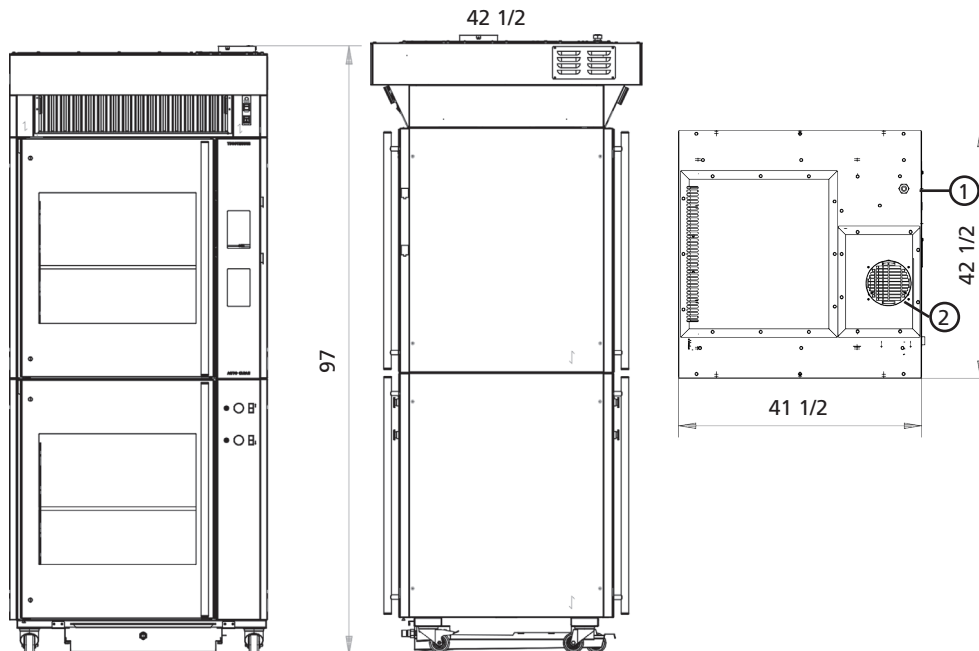
Dimensions ventless hood type 7/8 AC

Width	41 1/2"
Depth	42 1/2"
Height	14 1/2"
Total height	83 3/4"

Technical specifications ventless hood type 7/8 AC

Net weight	181 lbs
Gross weight	225 lbs
Sound pressure	< 70 dB(A)
Voltage	208 V
Phase	1~
Frequency	50/60 Hz
Power	400W
Plug	NEMA 6-15P
Length of power cable	approx 75"

TDR-7/8 S + 7/8 S Auto-Clean with Ventless Hood



Ventless Hood

- 1 Power cable
- 2 Exhaust pipe hood

Dimensions ventless hood type 7/8 + 7/8 AC

Width	41 1/2"
Depth	42 1/2"
Height	14 1/2"
Total height	97"

Technical specifications ventless hood type 7/8 + 7/8 AC

Net weight	181 lbs
Gross weight	225 lbs
Sound pressure	< 70 dB(A)
Voltage	208 V
Phase	1~
Frequency	50/60 Hz
Power	400W
Plug	NEMA 6-15P
Length of power cable	approx 75"

Specifications and technical data are subject to amendment without prior notice.

These are basic drawings. For more detailed technical information, please refer to the installation manual at www.frijado.com.