

Durable quality
made to last

TG 4



The TG 4 cooks chicken and all kinds of meat cuts to perfection, and is ideal for convenience stores, butcher's shops and deli departments. Despite its versatility, the TG 4 is very easy to operate. Just set the time and temperature and start the rotisserie!

The TG 4 features the combination of convection and infrared radiation for which Fri-Jado rotisseries are famous. This heating process creates a juicy product with an evenly cooked, crispy skin: a real taste experience.

The parts in the preparation chamber of the rotisserie are removable, as well as the fat drawer that drains fat through a valve. This shortens the time needed for cleaning, reduces labour costs and allows your operators to spend their valuable time on what's most important: attending to your customers.

Features TG 4

Top features

- Controls with manual settings
- Easy to operate - set time, temperature and start the rotisserie
- Table-top economic choice
- Combination of convection and infrared radiation - evenly cooked products with a crispy skin
- Efficient heat transfer reduces energy consumption
- Endless possibilities: poultry (parts), pork roast, ribs, lamb, roast beef, pork belly, meat loaf, porchetta and other proteins

Standard characteristics

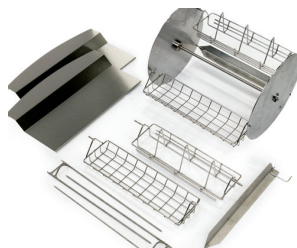
- 4 Meat fork, V-spit, basket or rack positions
- Rotor for up to 12 chickens (2.6 lbs) per batch / 8 chickens (4 lbs)
- Double glass doors, safe to touch
- Heat reflective inner glass door
- No water and drain connections needed
- Removable parts for easy cleaning
- High quality stainless steel construction, interior and exterior

Accessories

- Meat forks
- Multi-purpose baskets
- V-spits
- Chicken racks



Manual controls



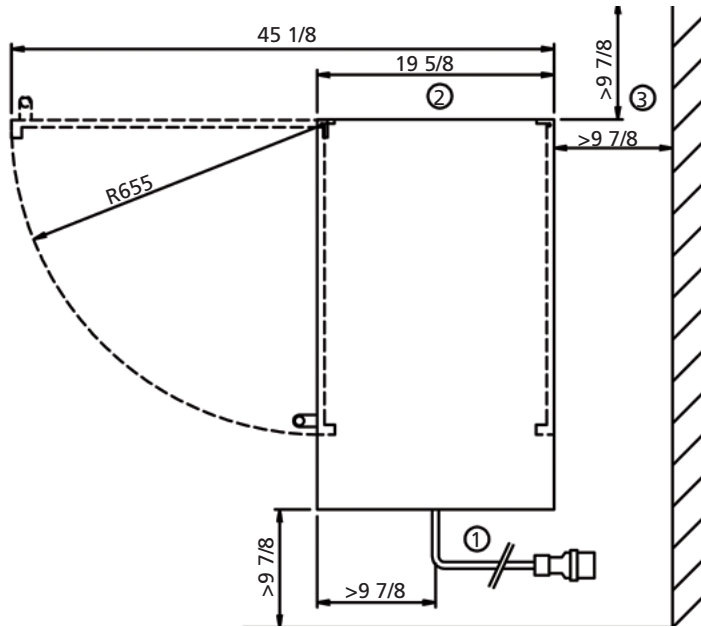
Removable parts



Rotor button



Large display section



TG 4

- 1 Power cable, 75"
- 2 Exhaust opening
- 3 Space to the wall
- 4 Location for socket

Dimensions

Width	32 1/2"
Depth	25 1/4"
Height	29 1/2"

Technical data

Net weight	176 lbs
Gross weight	205 lbs
Voltage	208 V
Phase	3~
Frequency	50/60 Hz
Power	5.2 kW
Plug	NEMA 15-20P

Specifications and technical data are subject to amendment without notice.

These are basic drawings. For more detailed technical information, please refer to the installation manual at www.frijado.com.

