

# USER MANUAL

European Model HI 120

American Model HI 48



**WARNING**

Read this manual before using the machine.

**KEEP THIS USER MANUAL FOR FUTURE USE**

© 2020 Fri-Jado B.V., Oud Gastel, The Netherlands.

We advise you to contact your supplier for the guarantee period and conditions. Further we refer to our General Terms and Conditions for Sales and Delivery that are available upon request.

The manufacturer does not accept any liability for damage or injury caused by failing to adhere to these regulations or by not observing the usual caution or care in actions, operation, maintenance or repair activities, even if not explicitly described in this manual.

As a result of constant commitment to improvement, it may happen that your unit deviates in detail from what is described in this manual. For this reason, the given instructions are only a guideline for the installation, use, maintenance and repair of the unit referred to in this manual. This manual has been composed with the utmost care. The manufacturer shall, however, not be held responsible for any mistakes in this manual nor for any consequences thereof. The user is allowed to copy this manual for own use. Further all rights are reserved and nothing in this manual may be reproduced and/or made public in any way.

**Modifications**

In case of unauthorized modifications in or on the unit, every liability on the part of the manufacturer becomes null and void.

# CONTENTS

<b>1.</b>	<b>INTRODUCTION .....</b>	<b>4</b>
1.1	General.....	4
1.2	Identification of the unit.....	4
1.3	Pictograms and symbols.....	4
1.4	Safety instructions .....	5
1.4.1	General.....	5
1.4.2	Moving.....	6
1.5	Hygiene .....	6
1.6	Service and technical support.....	6
1.7	Storage.....	6
1.8	Disposal.....	6
<b>2.</b>	<b>DESCRIPTION OF THE UNIT .....</b>	<b>7</b>
2.1	Technical description .....	7
2.2	Intended use.....	7
2.3	Accessories .....	7
<b>3.</b>	<b>INSTALLATION AND FIRST USE .....</b>	<b>8</b>
3.1	Unpacking the unit.....	8
3.2	Installation and positioning.....	9
3.2.1	Assembling the upper pane .....	9
3.2.2	Assembling the bottom pane .....	10
<b>4.</b>	<b>OPERATION AND USE .....</b>	<b>11</b>
4.1	Switch on.....	11
4.2	Checking the temperature in the unit .....	12
4.3	Checking the product temperature.....	12
4.4	Switch off.....	12
<b>5.</b>	<b>DAILY MAINTENANCE.....</b>	<b>13</b>
<b>6.</b>	<b>MALFUNCTIONS AND SERVICE.....</b>	<b>14</b>
6.1	Temperature fault .....	14
6.2	Replacing a lamp .....	15
6.3	Placing a price strip .....	15
6.4	Replacing the child guard .....	16
6.5	Replacing the mains cord .....	16
<b>7.</b>	<b>TECHNICAL SPECIFICATIONS .....</b>	<b>17</b>
<b>8.</b>	<b>ACCESSORIES.....</b>	<b>18</b>

## 1. INTRODUCTION

### 1.1 General

This manual is intended for the user of the Hot Island (HI). The features and controls are being described, along with directions for the safest and most efficient use, in order to guarantee a long life of the unit.

All pictograms, symbols and drawings in this manual apply to the Hot Island model.

### 1.2 Identification of the unit

The identification plate can be found on the outside of the machine, and contains the following data:

- Name of the supplier or the manufacturer
- Model
- Serial number
- Year of construction
- Voltage
- Frequency
- Power consumption

### 1.3 Pictograms and symbols

In this manual, the following pictograms and symbols are used:



**WARNING**

Possible physical injury or serious damage to the unit, if the instructions are not carefully followed.



**WARNING**

Hazardous electrical voltage.



**WARNING**

Danger of getting injured by hot surfaces.



Suggestions and recommendations to simplify indicated actions.



Recycling symbol.



Direction of view symbol.

## 1.4 Safety instructions


**WARNING**

The top and bottom of the trays and columns at the back of the unit can be very hot.


**WARNING**

The maximum load on top of the unit may never exceed 50 kg (110 lbs).


**WARNING**

The maximum load per shelf may never exceed 35 kg (77 lbs).


**WARNING**

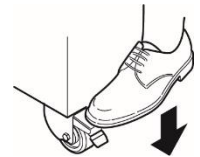
The maximum load of the drawer may never exceed 25 kg (55 lbs).


**WARNING**

See installation instructions for grounding requirements.


**WARNING**

Always use the brakes on both front wheels:



### 1.4.1 General

The user of the unit will be fully responsible for abiding the locally prevailing safety- rules and regulations.

The pictograms, labels, instructions and warning signs attached to the unit, are part of the safety measures. They may never be covered or removed, and have to be clearly visible during the entire lifetime of the unit.

Immediately repair or replace damaged or illegible pictograms, warnings and instructions.

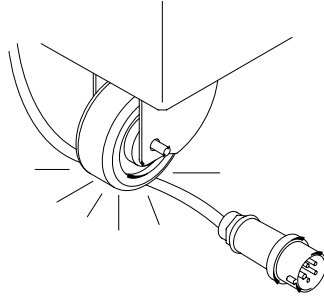
- Only pack the products in bags or containers that are suitable for this purpose.<sup>1</sup>
- To ensure good contact with the heated trays, only place a single layer of products.
- Make sure that the air slots at the front of the shelf as well as those in the middle of the unit remain free from obstructions.
- The unit must be cleaned regularly to ensure proper functioning.
- To avoid short-circuiting, never clean the unit using a water hose. For cleaning instructions, see section 5.
- This device can be used by children ages 8 and up and person with no experience or knowledge of physics or people with limited physical, sensory or mental capacities, provided they are trained for and supervised in a safe manner with the use of the unit and they are aware of and understand the risks involved with operating the unit.
- Children should be supervised to ensure that they do not play with the appliance.
- Cleaning and maintenance of the device may not be executed by children, unless they are under direct supervision.

<sup>1</sup> The packaged material used must be heat resistant to at least 95 °C (203°F)

### 1.4.2 Moving

When moving the unit:

- Before moving the unit, first switch off the mains voltage by pulling the plug from the wall socket.
- To avoid damage, remove the lower skirts when necessary.
- The unit is not suited to pass ledges or obstacles higher than 10 mm (0.4 inch).
- Make sure that the wheels can move freely, so they never touch the power.



### 1.5 Hygiene

The quality of a fresh product always depends on hygiene.

It is essential that products are packaged immediately after preparation. At that moment, the core temperature of the products should at least be 85°C (185°F).



Immediately remove products in damaged packaging from the equipment. Clean all components that have come in contact with products from damaged packaging. Refer to the cleaning instructions of section 5.

### 1.6 Service and technical support

The electrical schematics of your unit is included. In case of malfunctions you can contact your dealer/service agent. Make sure you have the following data available:

- Model.
- Serial number.

This data can be found on the identification plate.

### 1.7 Storage

If the unit will not be used temporarily, and will be stored, follow these instructions:

- Clean the unit thoroughly.
- Wrap the unit from getting dusty.
- Store the unit in a dry, non-condensing environment.

### 1.8 Disposal



Dispose of the machine, any components or lubricants removed from it safely in accordance with all local and national safety and environment requirements.

## **2. DESCRIPTION OF THE UNIT**

### **2.1 Technical description**

The unit uses convection heat. The plating of the unit is made of stainless or coated steel and shatter-resistant clear side glass.

### **2.2 Intended use**

The HI has been designed to maintain products at a minimum temperature at 65°C (150°F). Any other use will not be regarded as intended use.

The manufacturer accepts no liability whatsoever for loss or injury caused by failing to strictly adhere to the safety guidelines and instructions in this manual or due to carelessness during installation, use, maintenance and repair of the unit referred to in this manual and any of its accessories.

Use the unit in perfect technical condition only.

### **2.3 Accessories**

Your unit contains the following standard accessories:

- User manual.

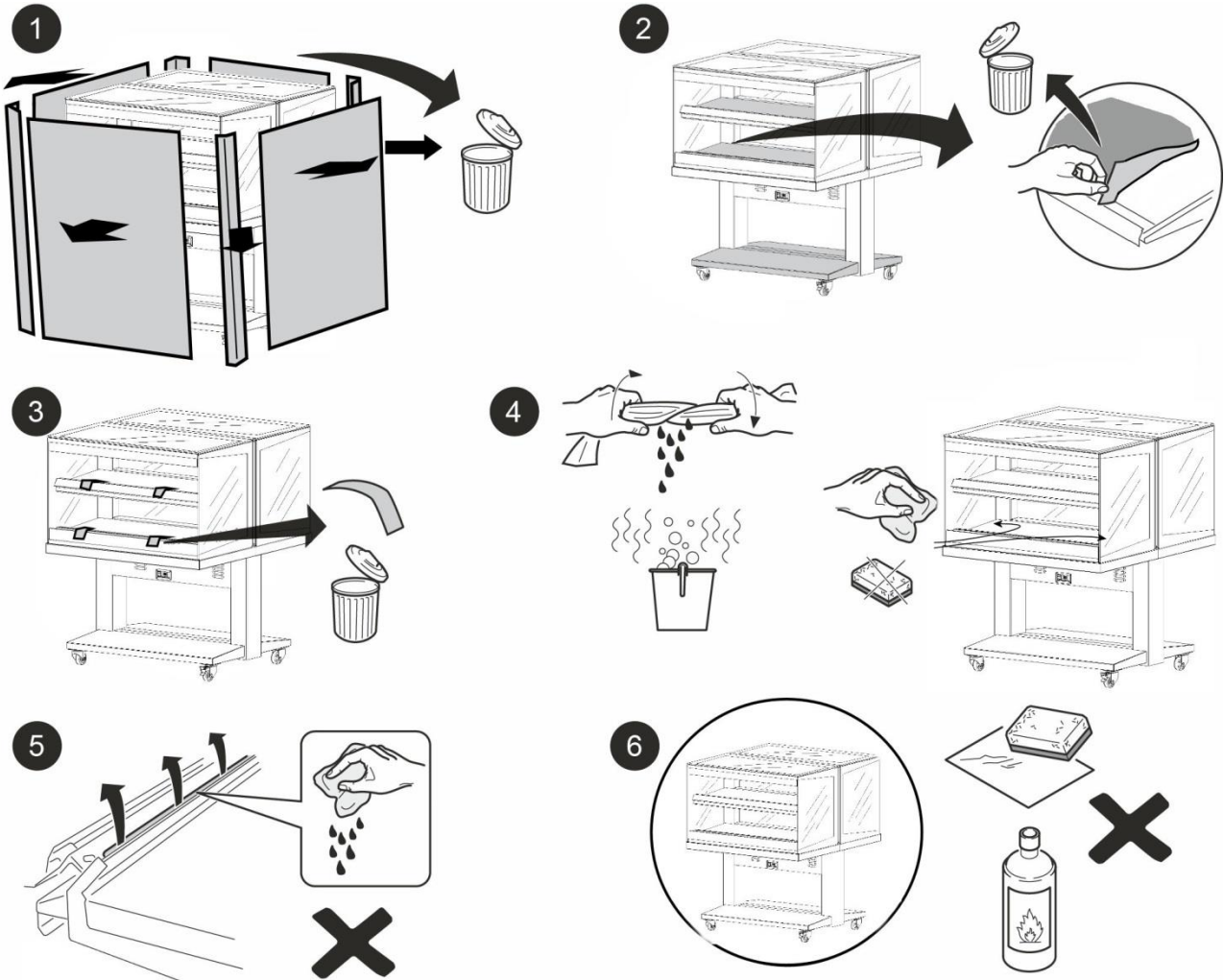
### 3. INSTALLATION AND FIRST USE



All packing materials used for this unit are suited for recycling.

After unpacking, check the state of the unit. In case of damage, store the packing material, and contact the transporter within fifteen working days after receiving the goods.

#### 3.1 Unpacking the unit



1. Remove all packaging materials from the unit.
2. Remove the protective foil from the plateaus and sides.
3. Remove all temporary tape
4. Before starting to use the unit, clean the inside with a damp cloth.
5. Avoid excessive use of water on the shelves. Make sure no water goes into the air slots.
6. Clean the side, top and middle glass both inside and out. Avoid scratches on all plastic and varnished parts, do NOT use aggressive detergents.
7. In case the panes for the middle are packed separately, refer to paragraph 3.1 for installation instructions.



### 3.2 Installation and positioning



#### WARNING

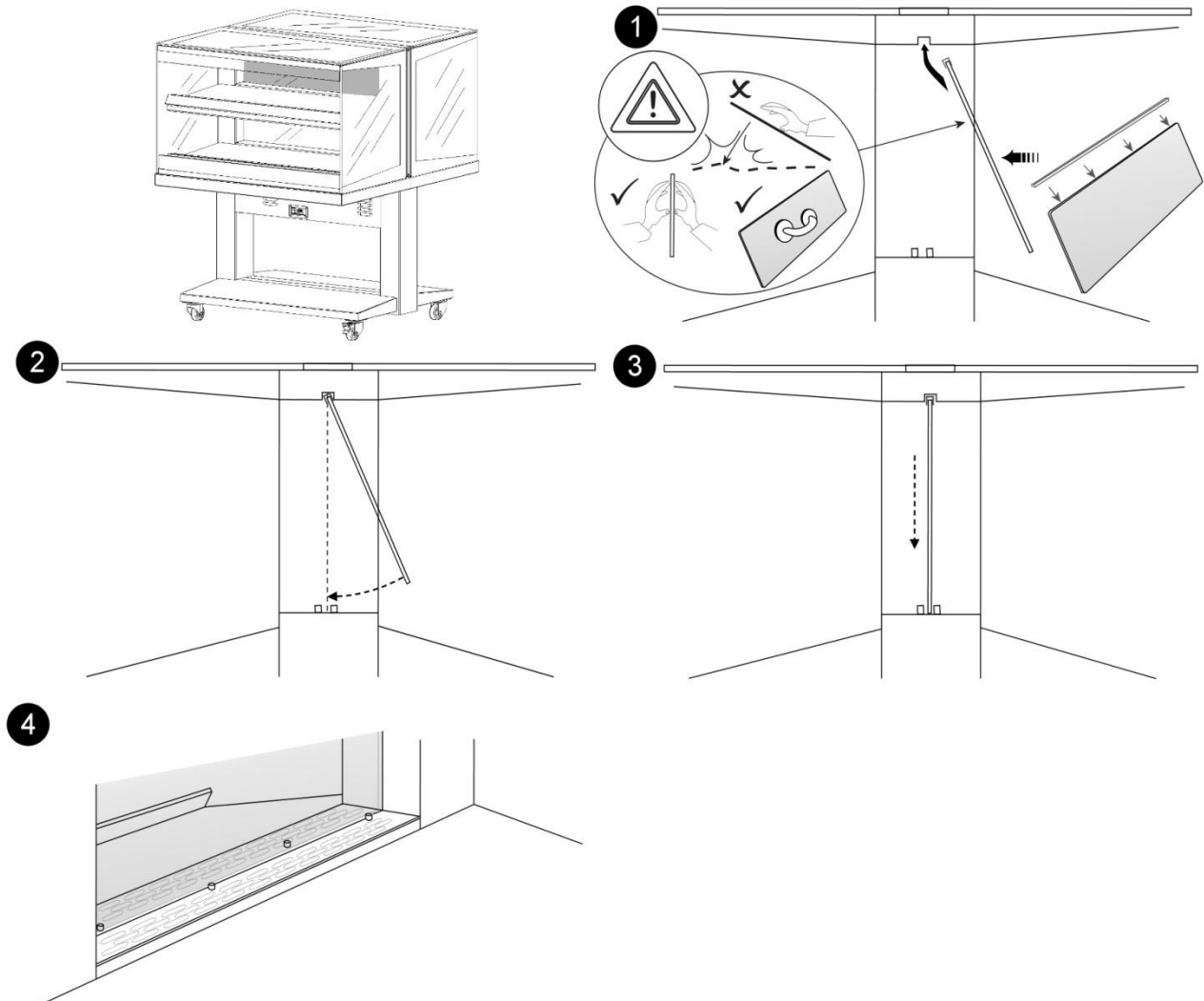
Electric shock hazard. Grounding instructions: only connect the appliance to an alternating current provided by a grounded wall socket, with a mains voltage in accordance with the information indicated on the data plate of the appliance.

It is the consumer's responsibility to make sure the electrical installation conforms with current national and local codes and wiring regulations.

Do not use a multi plug or extension cord. Such can result in fire, electrical shock, or other personal injury.

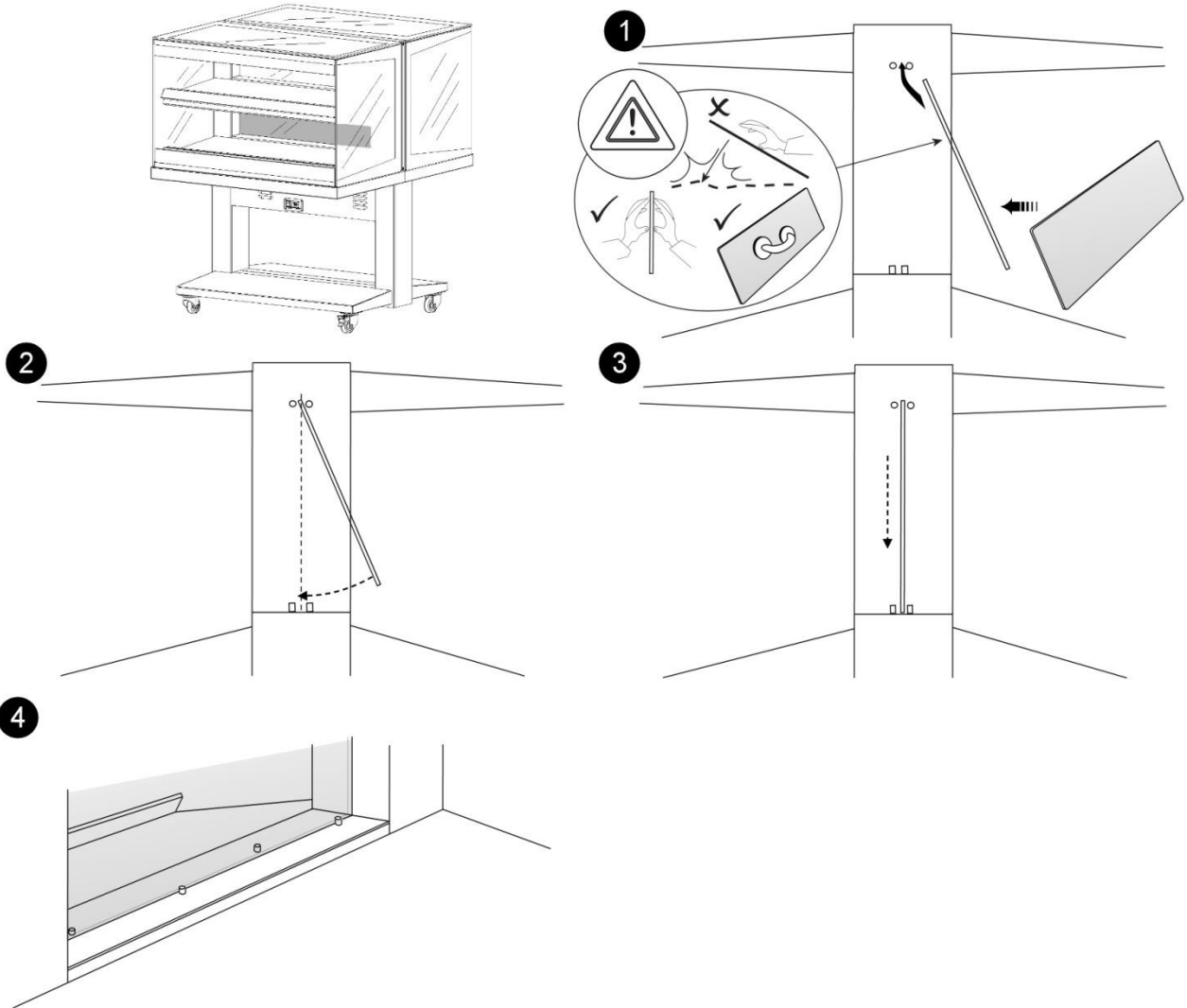
Failure to follow these instructions can result in death or serious injury.

#### 3.2.1 Assembling the upper pane



**Note:** Follow the procedure in reverse order for removing the upper pane. Always be sure the glass cannot fall during installation by either making use of suction cups or supporting it from both sides.

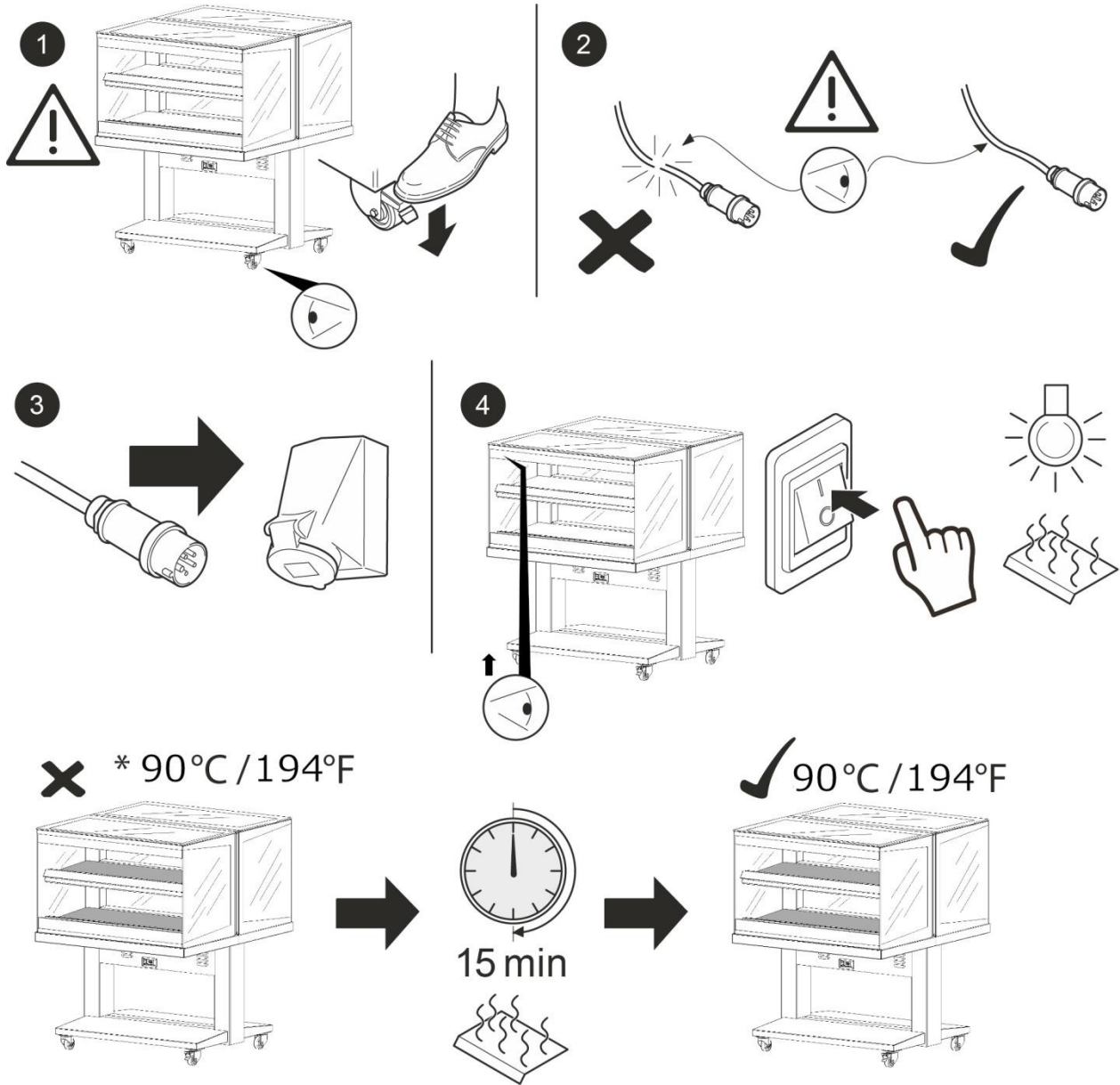
3.2.2 Assembling the bottom pane



**Note:** Follow the procedure in reverse order for removing the bottom pane. Always be sure the glass cannot fall during installation by either making use of suction cups or supporting it from both sides.

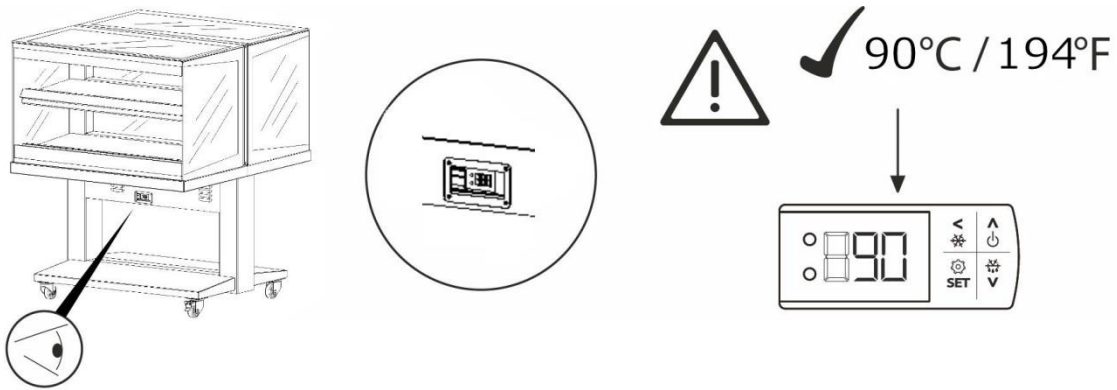
## 4. OPERATION AND USE

### 4.1 Switch on

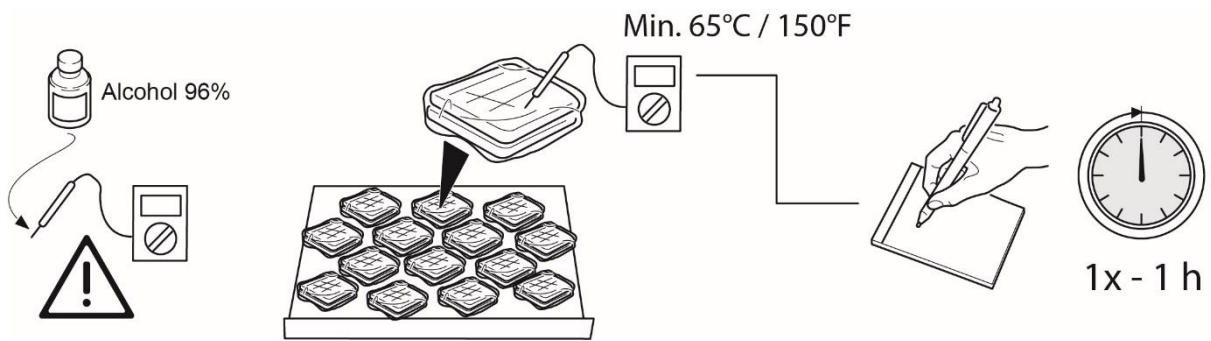


**Note:** The heating and lighting **cannot** be switched separately.

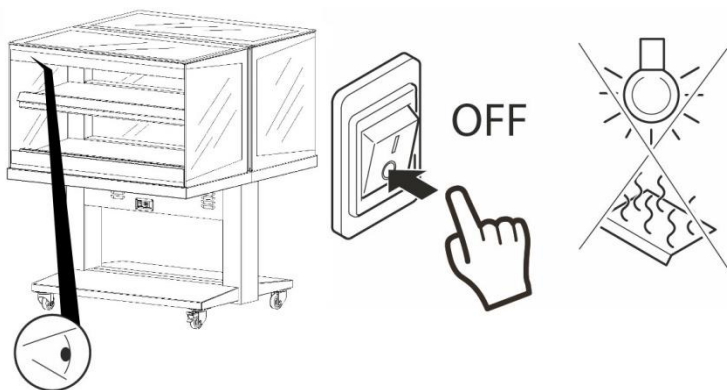
### 4.2 Checking the temperature in the unit



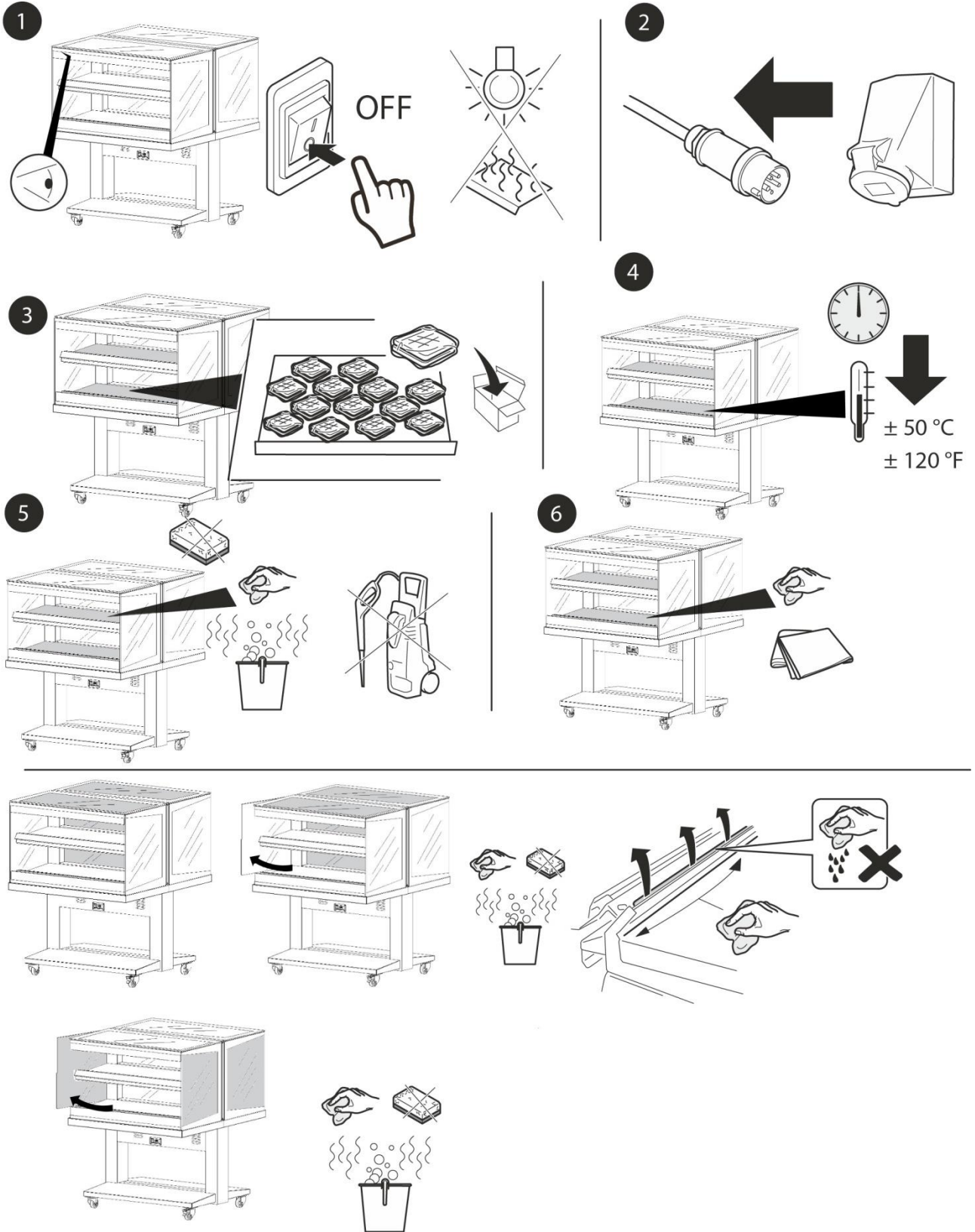
### 4.3 Checking the product temperature



### 4.4 Switch off

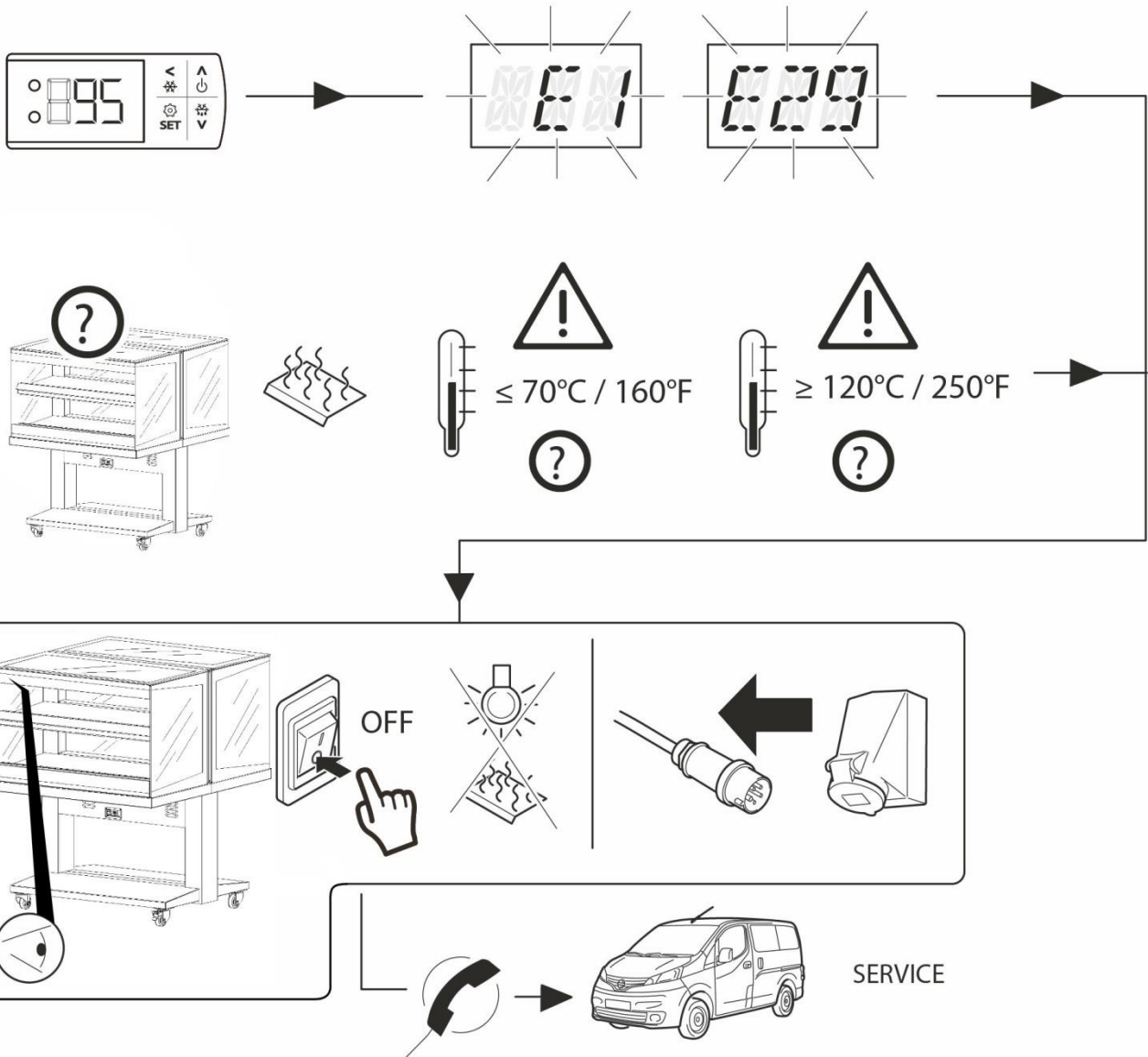


5. DAILY MAINTENANCE

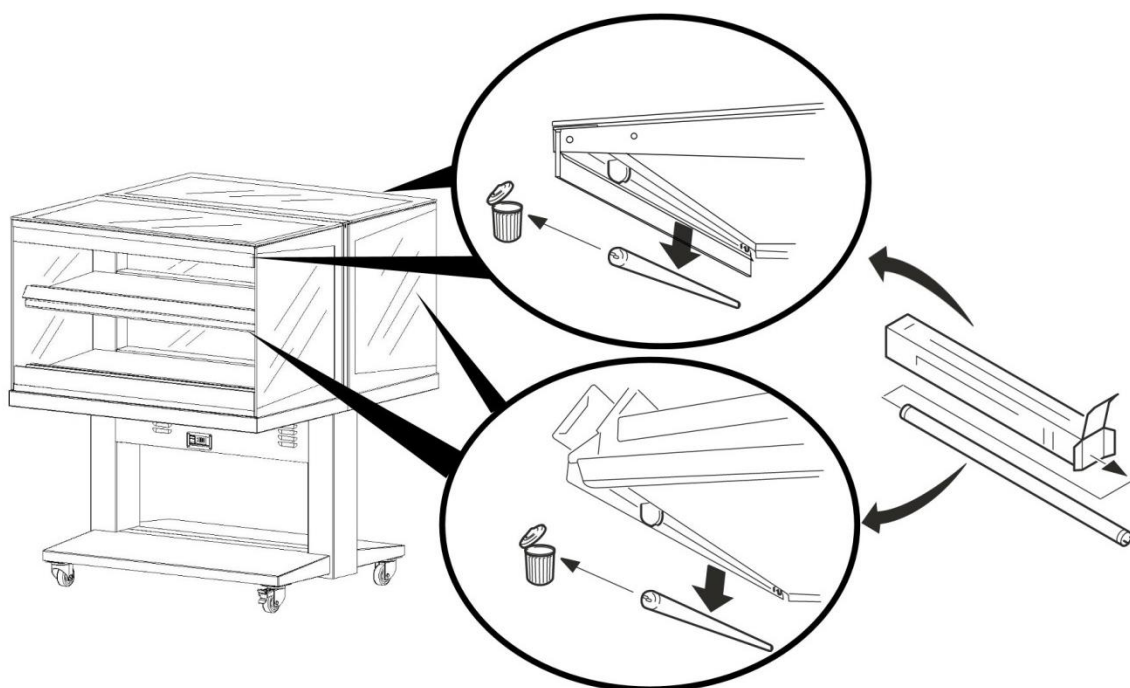


## 6. MALFUNCTIONS AND SERVICE

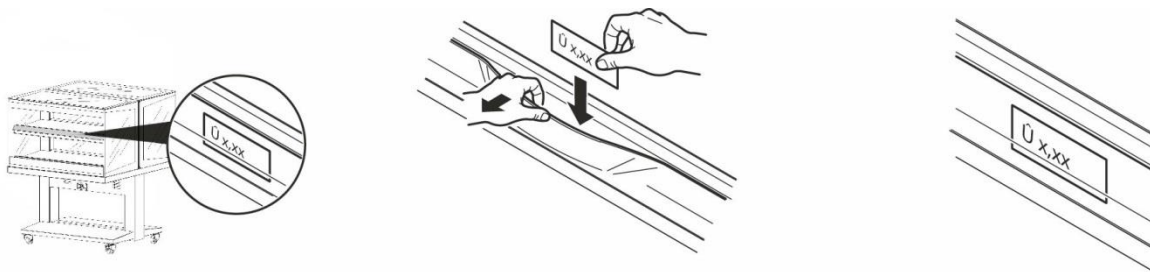
### 6.1 Temperature fault



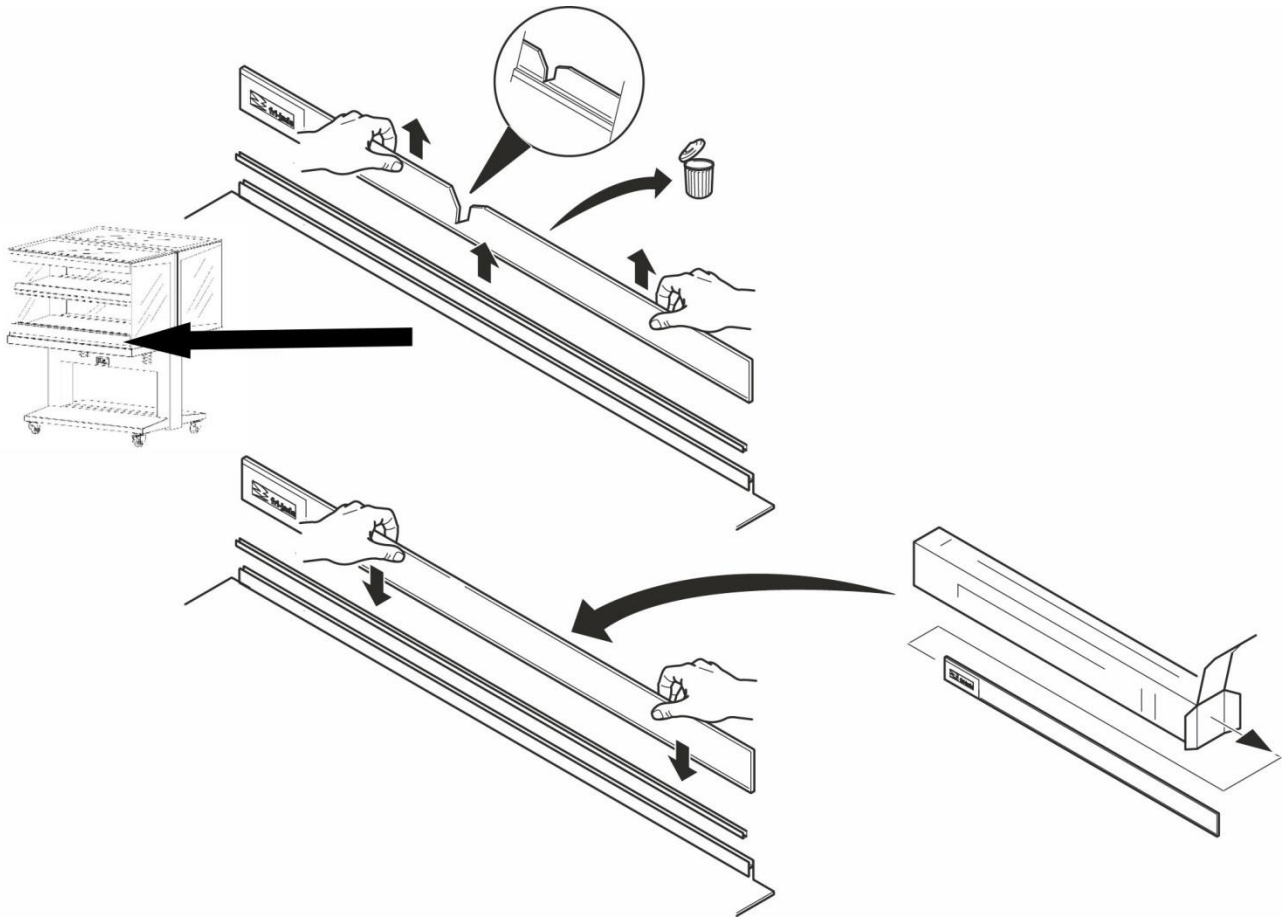
## 6.2 Replacing a lamp



## 6.3 Placing a price strip



## 6.4 Replacing the child guard



## 6.5 Replacing the mains cord



**WARNING**  
Hazardous electrical voltage.

If the mains cord is damaged, it must be replaced by the manufacturer, his service agent or a similarly qualified person in order to avoid hazards.



## 7. TECHNICAL SPECIFICATIONS


**WARNING**

Consult the identification plate to get the proper specifications of the unit. The electrical data may vary from country to country

### European Model

Model	HI120
Dimensions	
- Width	1188 mm
- Depth	1340 mm
- Height	1520 mm
Weight Net approx.	278 kg
Sound pressure	< 70 dB(A)
<b>Electrical installation</b>	
Voltage	3N~ 400/230 V
Frequency	50/60 Hz
Required power	4500 W
Plug	16 A CEE form
Power cord length	2,40 m

### American Model

Model	HI48
Dimensions	
- Width	46.8 in
- Depth	52.8 in
- Height	59.8 in
Weight Net approx.	635 lbs
Sound pressure	< 70 dB(A)
<b>Electrical installation</b>	
Voltage	1~ 208V / 3~ 208V
Frequency	50/60 Hz
Required power	4500 W
Plug	Note 1) / NEMA15-30P
Power cord length	10 ft.

**Note 1:** Unit supplied with 3 phase cord and plug. Single phase to be converted in the field. Required plug NEMA6-30P and cable 12 AWG.

## **8. ACCESSORIES**

**For the HI the following accessories are available:**

- Bumper Set \*
- Cross-selling basket

\* Note: standard on American Models.

---

**Notes**

Fri-Jado Inc.  
1401 Davey Road, Suite 100  
Woodridge IL 60517  
USA  
Tel: +1-630-633-7950

[www.frijado.com](http://www.frijado.com)