

Service Parts List

Custom Counter Hot and Cold including Trouble Shooting guide



- NOTICE -

This manual is prepared for the use by trained Service Technicians and should not be used by those not properly qualified.

The information presented in this document is only valid for standard Custom Counter Configurations and not intended to be all encompassing.

Due to the fact that a Custom Counter is highly configurable not all parts are included.
The specifications for custom configurations differ.

For more information please contact Frijado Customer Service +31 76 5085433 or
send an e-mail to Customer.service@frijado.com

Technical data and specifications are subject to amendment without prior notice.

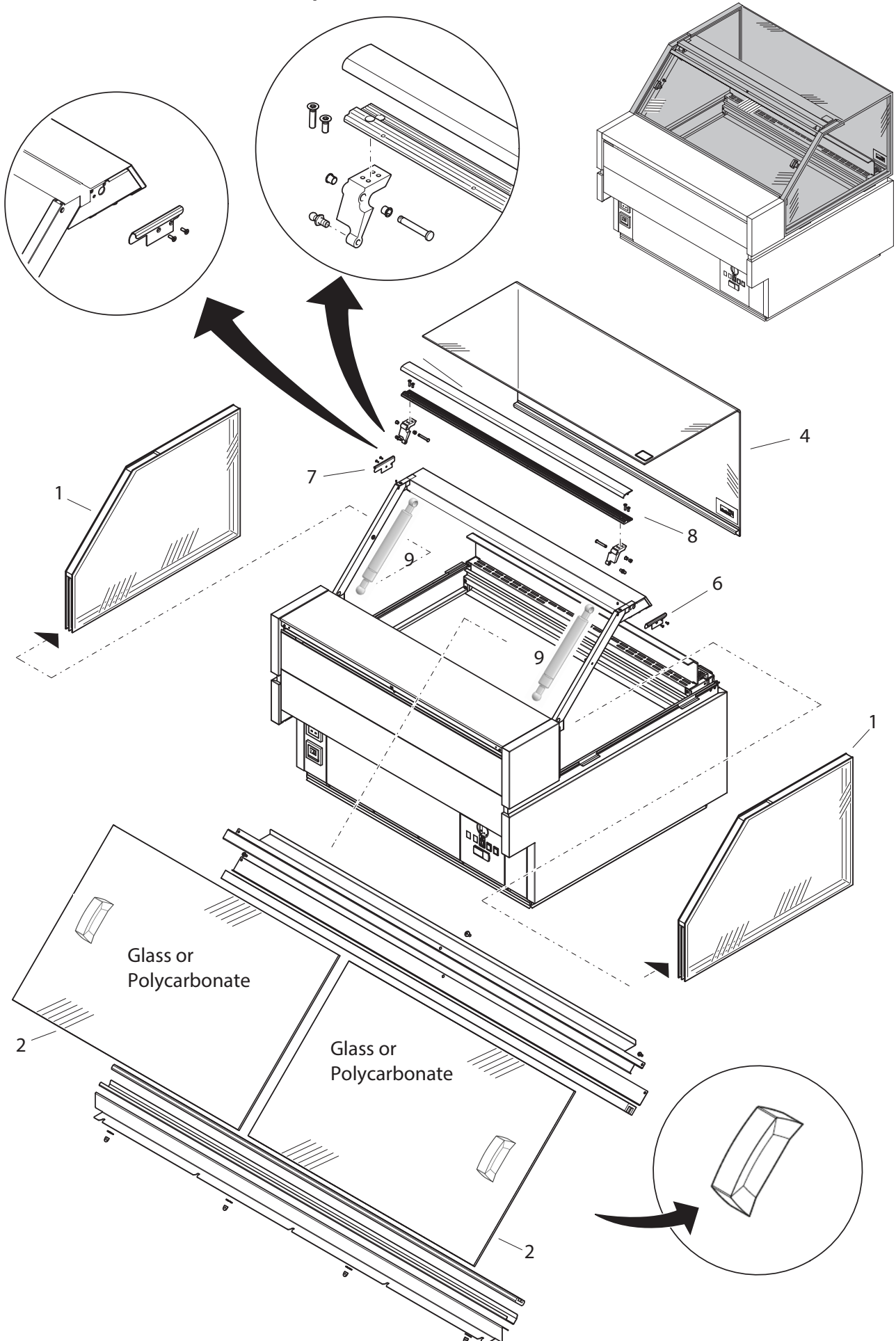
Reproduction or other use of this Manual, without the express written consent of Fri-Jado, is prohibited.

Page intentionally left blank

Index

Index	3
Glass parts CC Hot and Cold view	4
Glass parts CC Hot and Cold part numbers	5
Glass parts CC Hot and Cold folding door	6
Glass parts CC Hot and Cold part numbers folding door	7
Glass parts placing sliding doors after cleaning	8
Glass parts front	9
Gas springs CC Hot and Cold view	10
Gas springs part numbers	11
Fan Lighting Heating Hot view	12
Fan Lighting Heating Hot part numbers	13
Glass Ice Cold view	14
Glass Ice Cold part numbers	15
Cooling Cold view	16
Cooling Cold part numbers	17
Drain Cold view	18
Drain Cold part numbers	19
Electra Cold view	20
Electra Cold part numbers	21
Drain Hot view	22
Drain Hot part numbers	23
Electra Hot view	24
Electra Hot part numbers	25
Cover parts Hot view	26
Cover parts hot part numbers	27
Trouble shooting CC Cold	28
Trouble shooting CC Hot	30
Trouble shooting Humidification	31

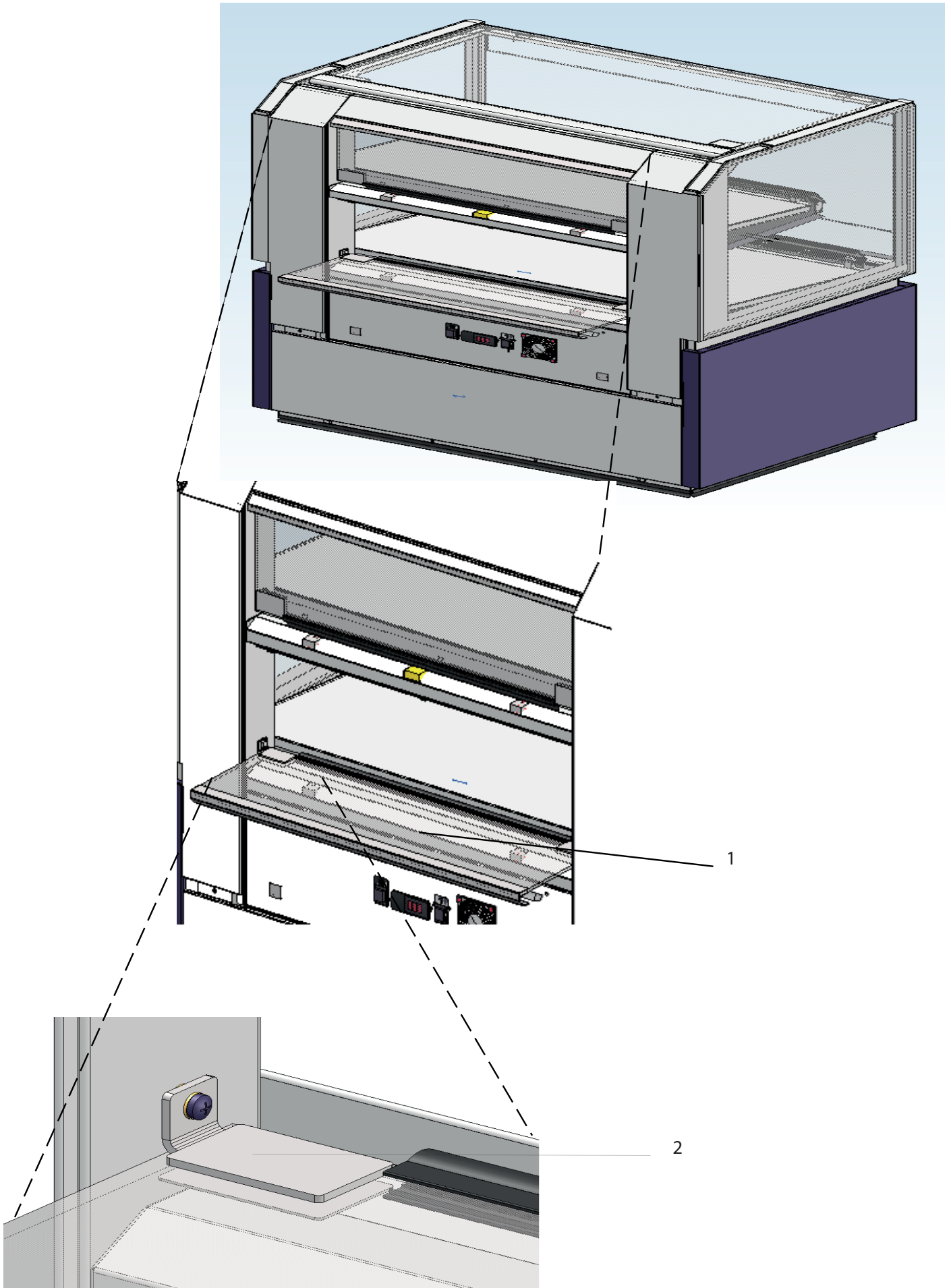
Glass parts CC Hot and Cold view



Glass parts CC Hot and Cold part numbers

Position number	Part number	Product name	Remark	Prio
1	30001630s	Ass. End glass square FS	Packed	1
1	30001631s	Ass. End glass curved FS	Packed	1
1	30002388s	Ass. End square glass FS UV double	Packed	1
1	30009214s	Ass. End square glass FS UV single	Packed	1
1	30010006	Ass. End glass square FS black strip	Packed	1
1	30006356s	Ass. End glass square FS radius single	Packed	1
2	30002841s	Ass. sliding door 750 (1pc), incl. handle		
2	30002341s	Ass. sliding door 1000 (1pc), incl. handle		
2	30001423s	Ass. sliding door 1250 (1pc), incl. handle		
2	30002840s	Ass. sliding door 1500 (1pc), incl. handle		
2	30006699s	Ass. sliding door 750 (2pc), incl. handle	Poly Carbonate / Packed	1
2	30010384s	Ass. sliding door 1000 (2pc), incl. handle	Poly Carbonate / Packed	1
2	30010489s	Ass. sliding door 1250 (2pc), incl. handle	Poly Carbonate / Packed	1
2	30130064s	Ass. sliding door 1500 (2pc), incl. handle	Poly Carbonate / Packed	1
4	30130682s	Square FS UV bonded glass 1000 - 350 (V)	Packed (used from end 2020)	1
4	30130683s	Square FS UV bonded glass 1250 - 350 (V)	Packed (used from end 2020)	1
4	30007437s	Square FS radius glass 750 350 (N)	Packed (used till end 2020)	1
4	30006698s	Square FS radius glass 1000 350 (N)	Packed (used till end 2020)	1
4	30006584s	Square FS radius glass 1250 350 (N)	Packed (used till end 2020)	1
4	30006412s	Square FS radius glass 1500 350 (N)	Packed (used till end 2020)	1
4	30131112s	Square FS radius glass 750 - 350 (V)	Packed (used from end 2020)	1
4	30131113s	Square FS radius glass 1000 - 350 (V)	Packed (used from end 2020)	1
4	30131114s	Square FS radius glass 1250 - 350 (V)	Packed (used from end 2020)	1
4	30006978s	Ass. FS square glass with radius 750	Packed	1
4	30006971s	Ass. FS square glass with radius 1000	Packed	1
4	30006981s	Ass. FS square glass with radius 1250	Packed	1
4	30006979s	Ass. FS square glass with radius 1500	Packed	1
4	30009655s	Ass. FS square glass with radius 750+750,	Packed	1
4	30006980s	Ass. FS curved glass 750	Packed	1
4	30006977s	Ass. FS curved glass 1000	Packed	1
4	30006982s	Ass. FS curved glass 1250	Packed	1
4	30006983s	Ass. FS curved glass 1500	Packed	1

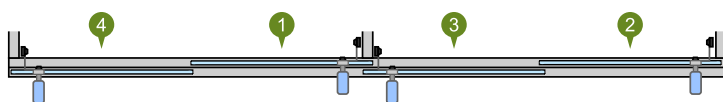
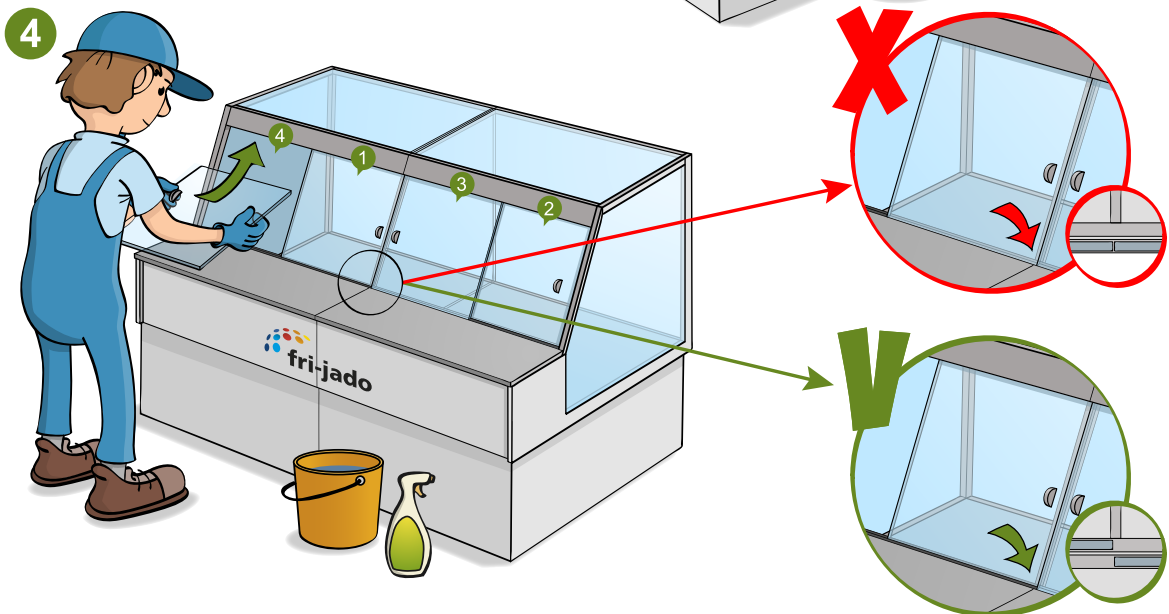
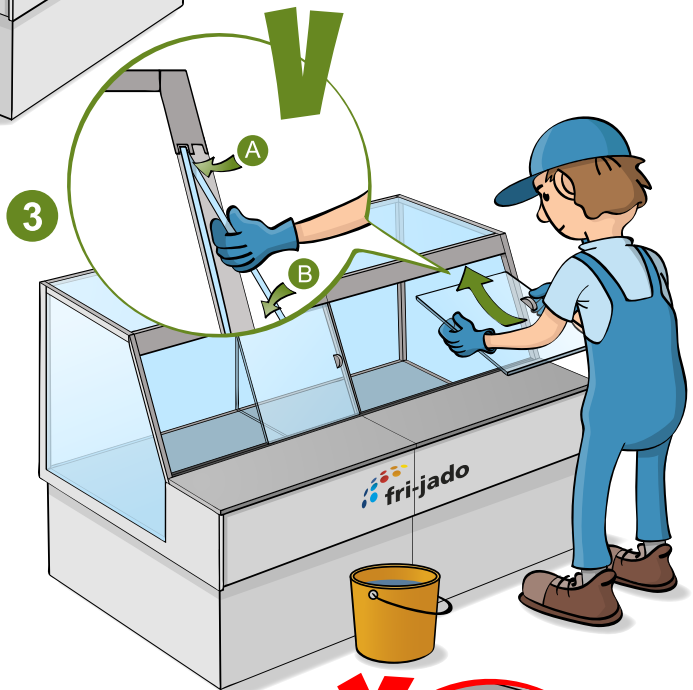
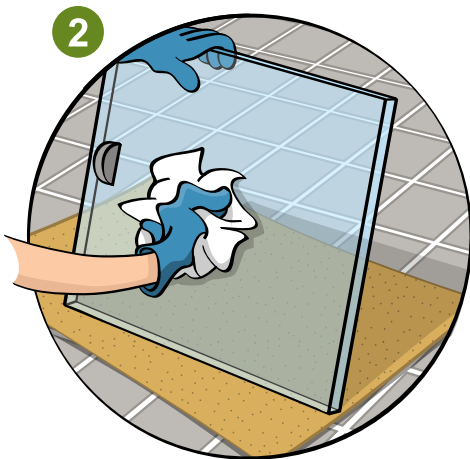
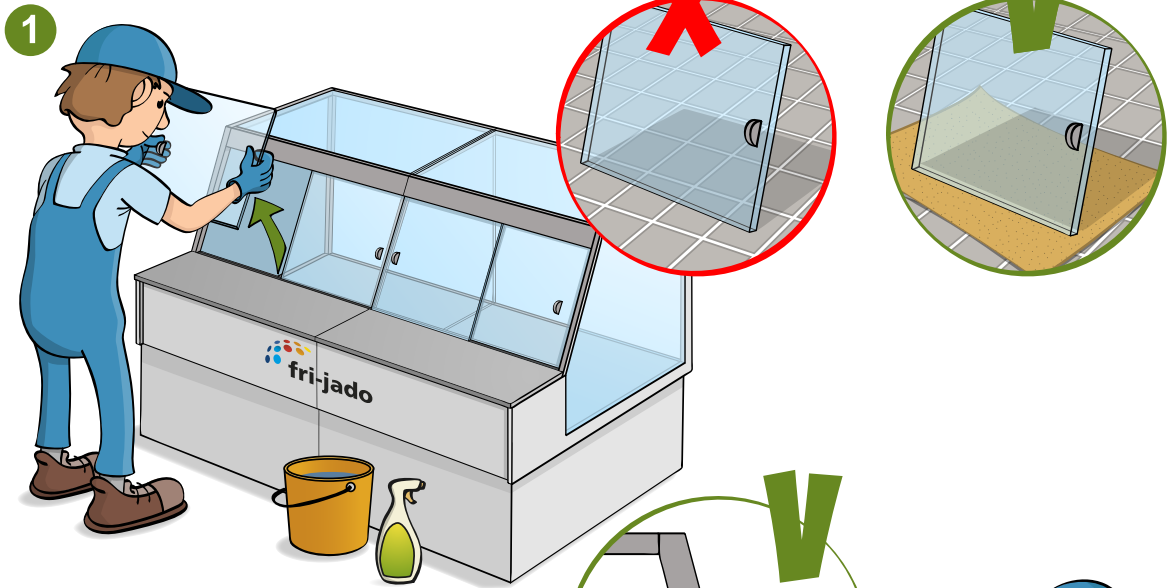
Glass parts CC Hot and Cold folding door




Glass parts CC Hot and Cold part numbers folding door

Position number	Part number	Product name	Remark	Prio
1	9320046s	Assy Pass through tilting window 1000	packed	1
1	9320078s	Assy Pass through tilting window 1250	packed	1
2	9224667	Hinge glass pane swing door	Only assembled	

Glass parts placing sliding doors after cleaning



Glass parts front

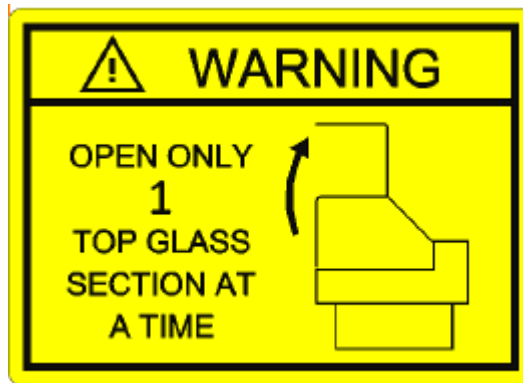
<u>Doc. nr.</u> 9124702	<u>Rev.</u> 0	Registration form. Custom Counter front glass sections opening.	
-----------------------------------	-------------------------	---	---

Safety precaution:

For the Custom Counter with two or more front glass parts together:

Don't open two front glass sections next to each other at the same time.

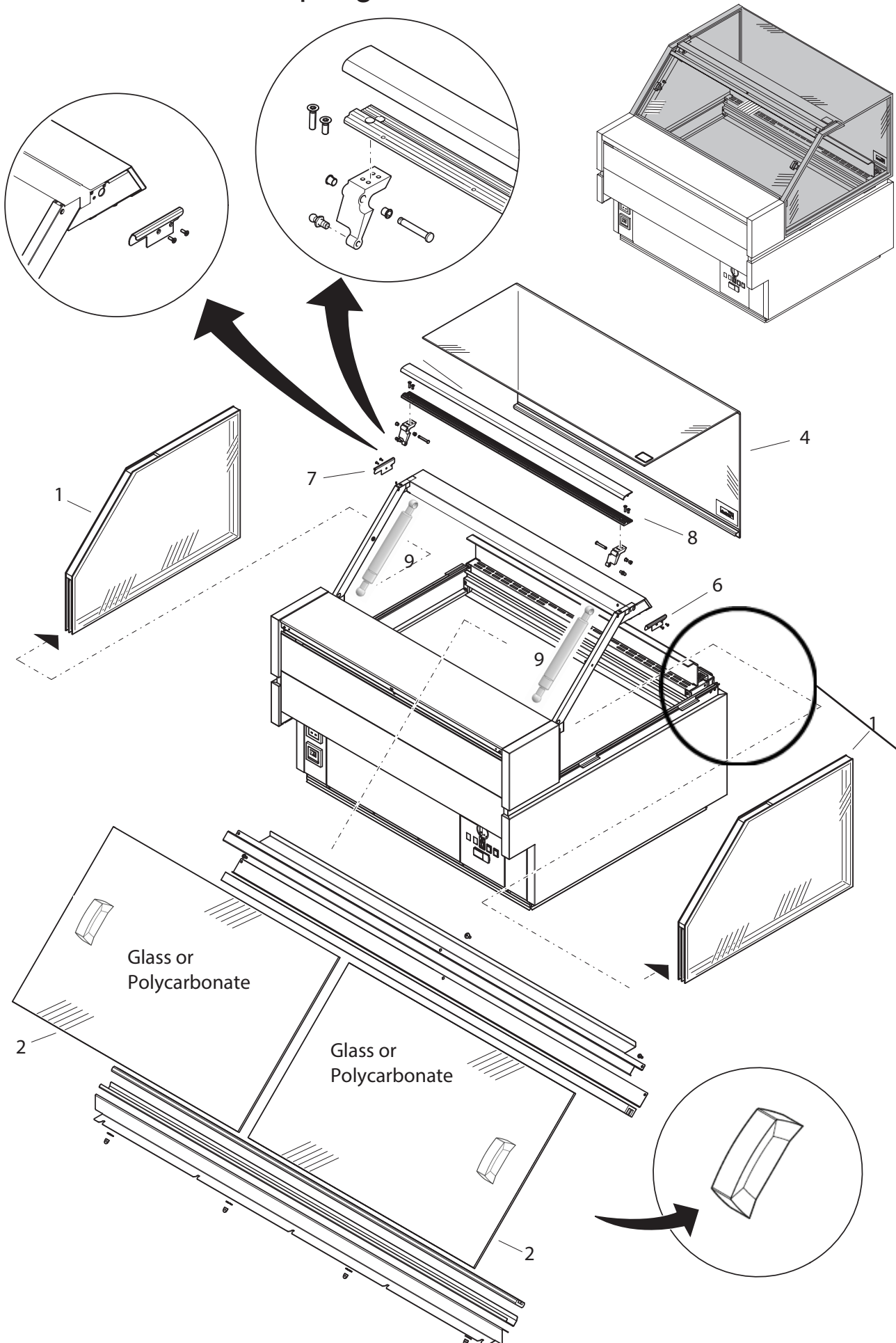
This can cause glass sections to touch each other, which can result in glass breakage in due time.



Label number 9124592



Gas springs CC Hot and Cold view

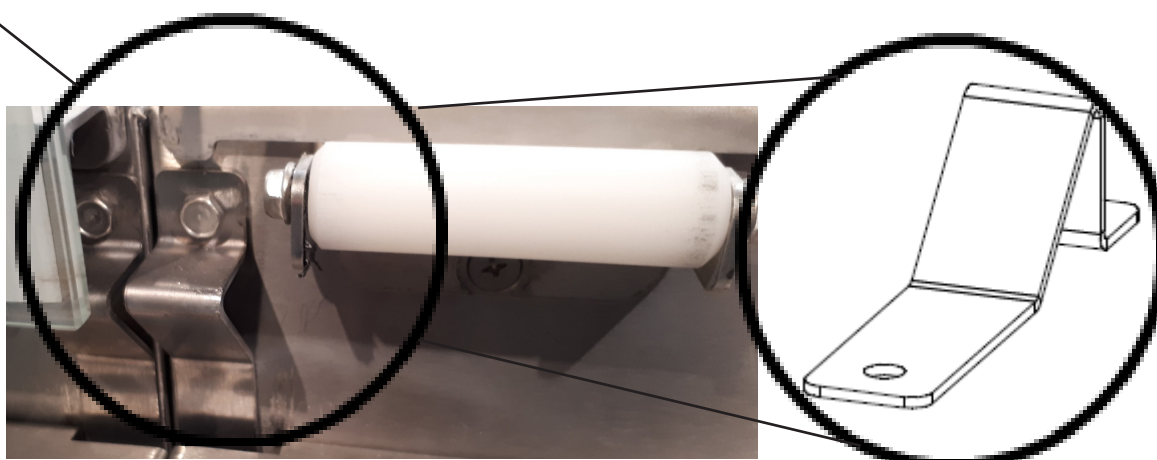


Gas springs part numbers

Position number	Part number	Product name	Remark	Prio
4	30009249s	Square FS UV bonded glass 750 350 (N)		
4	30008644s	Square FS UV bonded glass 1000 350 (N)		
4	30009244s	Square FS UV bonded glass 1250 350 (N)		
6	30001317	Side glass holder right		
7	30001318	Side glass holder left		
8	30000535	Glass clamp profile 750		3
8	30000537	Glass clamp profile 1000		3
8	30000345	Glass clamp profile 1250		3
8	30000538	Glass clamp profile 1500		3
9	30002733	Gas spring 400N / Check text on spring	Cold Counter only	2
9	30001783	Gas spring 500N / Check text on spring	Cold Counter only	2
9	30001782	Gas spring 600N / Check text on spring	Cold Counter only	2
9	30001237	Gas spring 700N / Check text on spring	Cold Counter only	2
9	30001784	Gas spring 800N / Check text on spring	Cold Counter only	2
9	30006687	Gas spring 500N HT / Check text on spring	Hot Counter only	2
9	30006688	Gas spring 600N HT / Check text on spring	Hot Counter only	2
9	30006689	Gas spring 700N HT / Check text on spring	Hot Counter only	2
9	30006690	Gas spring 800N HT / Check text on spring	Hot Counter only	2

Remark:

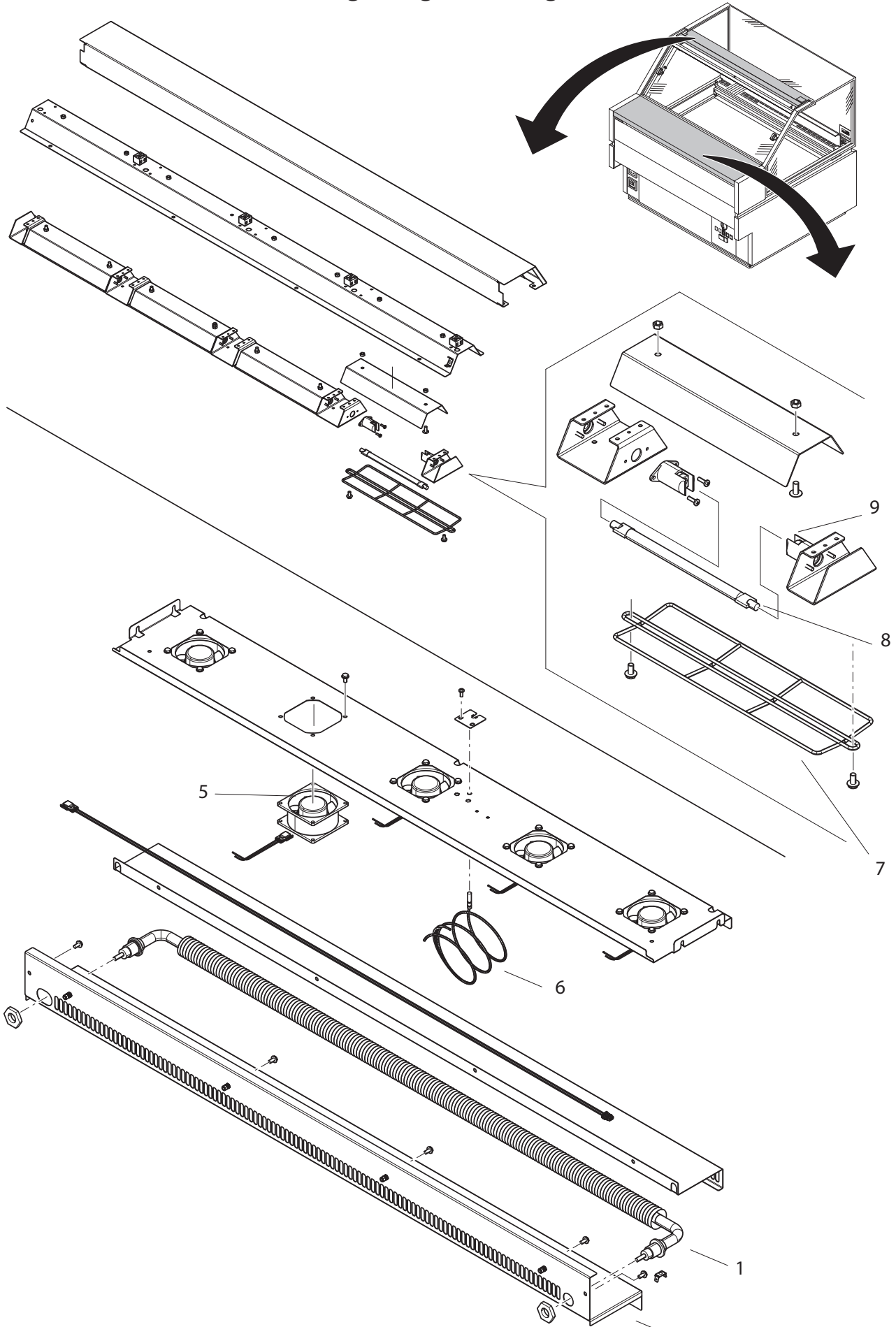
Gas springs in Hot counters needs to be checked every 12 month, and replaced every 15 months.



Mounting bolt:
4287624 - Screw ST4.8x25 hexagon head tapping

30009610
Prevention bracket top
glass

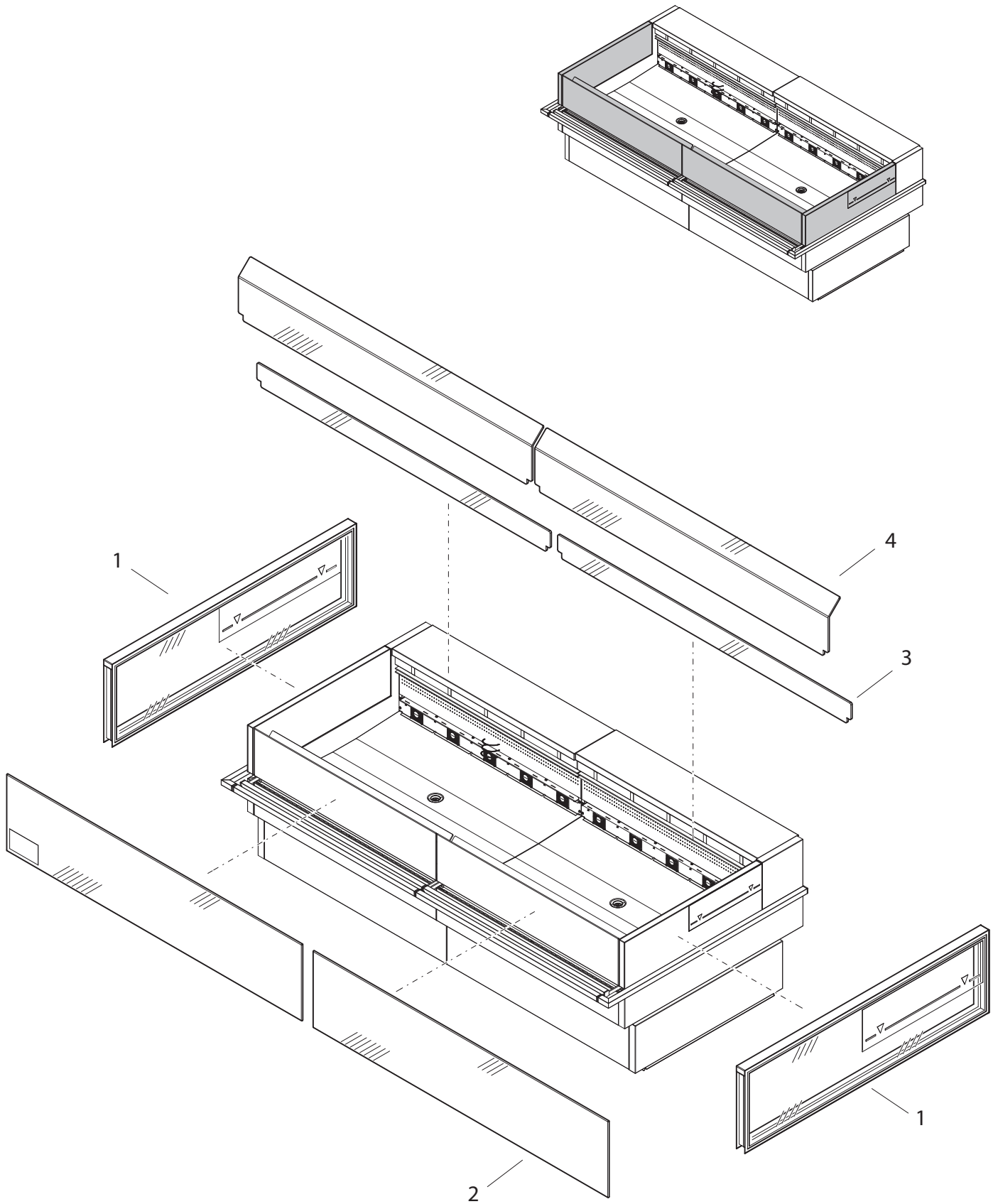
Fan Lighting Heating Hot view



Fan Lighting Heating Hot part numbers

Position number	Part number	Product name	Remark	Prio
1	30002245	Element 1800 W CC 750		1
1	30002244	Element 2400 W CC 1000		1
1	30001427	Element 3000 W CC 1250		1
1	30001449	Element 3600 W CC 1500		1
3	30002267	Mounting bracket element CC 750		3
3	30002251	Mounting bracket element CC 1000		3
3	30000965	Mounting bracket element CC 1250		3
3	30005382	Mounting bracket element CC 1500		3
5	30010372 New 30010380s	Fan 8556N, M5 tapped. incl. 3 waterproof connector	Packed	1
6	9221011	Sensor PTC 1000		1
7	9292061	Grid lighting		3
8	9082774	Lamp halotherm 200W		1
9	9052826	Lamp holder		2

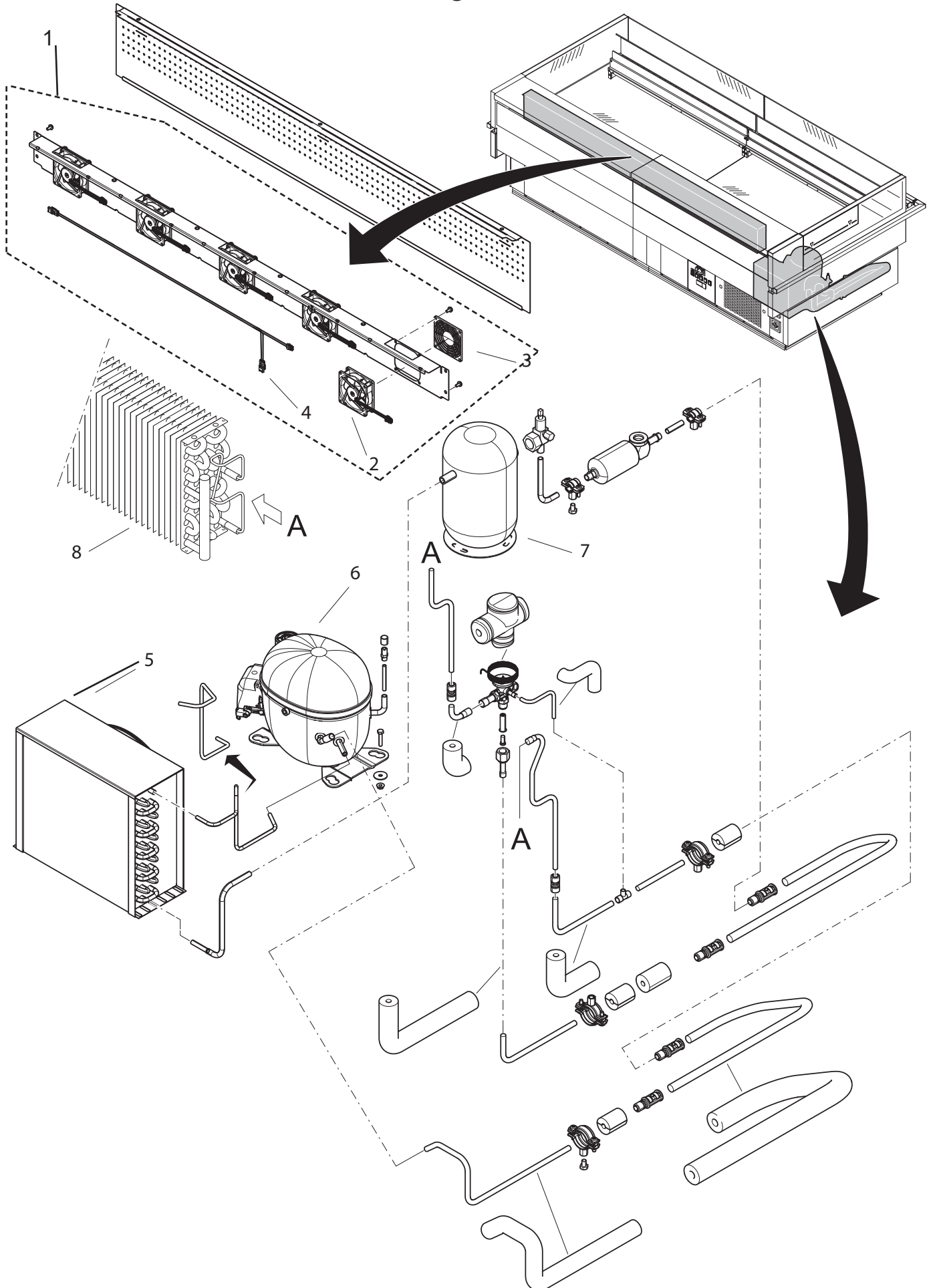
Glass Ice Cold view



Glass Ice Cold part numbers

Position number	Part number	Product name	Remark	Prio
1	30001632s	Ass. End glass square SS	Packed	1
2	30000873s	Square SS glass 750 + bracket	Packed	1
2	30000874s	Square SS glass 1000 + bracket	Packed	1
2	30000213s	Square SS glass 1250 + bracket	Packed	1
2	30000875s	Square SS glass 1500+ bracket	Packed	1
3	30001729	Front pane cold 750		2
3	30001702	Front pane cold 1000		2
3	30000333	Front pane cold 1250		2
3	30001767	Front pane cold 1500		2
4	30001728	Front pane angled cold 750		2
4	30001700	Front pane angled cold 1000		2
4	30000926	Front pane angled cold 1250		2
4	30001768	Front pane angled cold 1500		2
4	30002263	Pane bended Hot 750		2
4	30002247	Pane bended Hot 1000		2
4	30001234	Pane bended Hot 1250		2
4	30002276	Pane bended Hot 1500		2

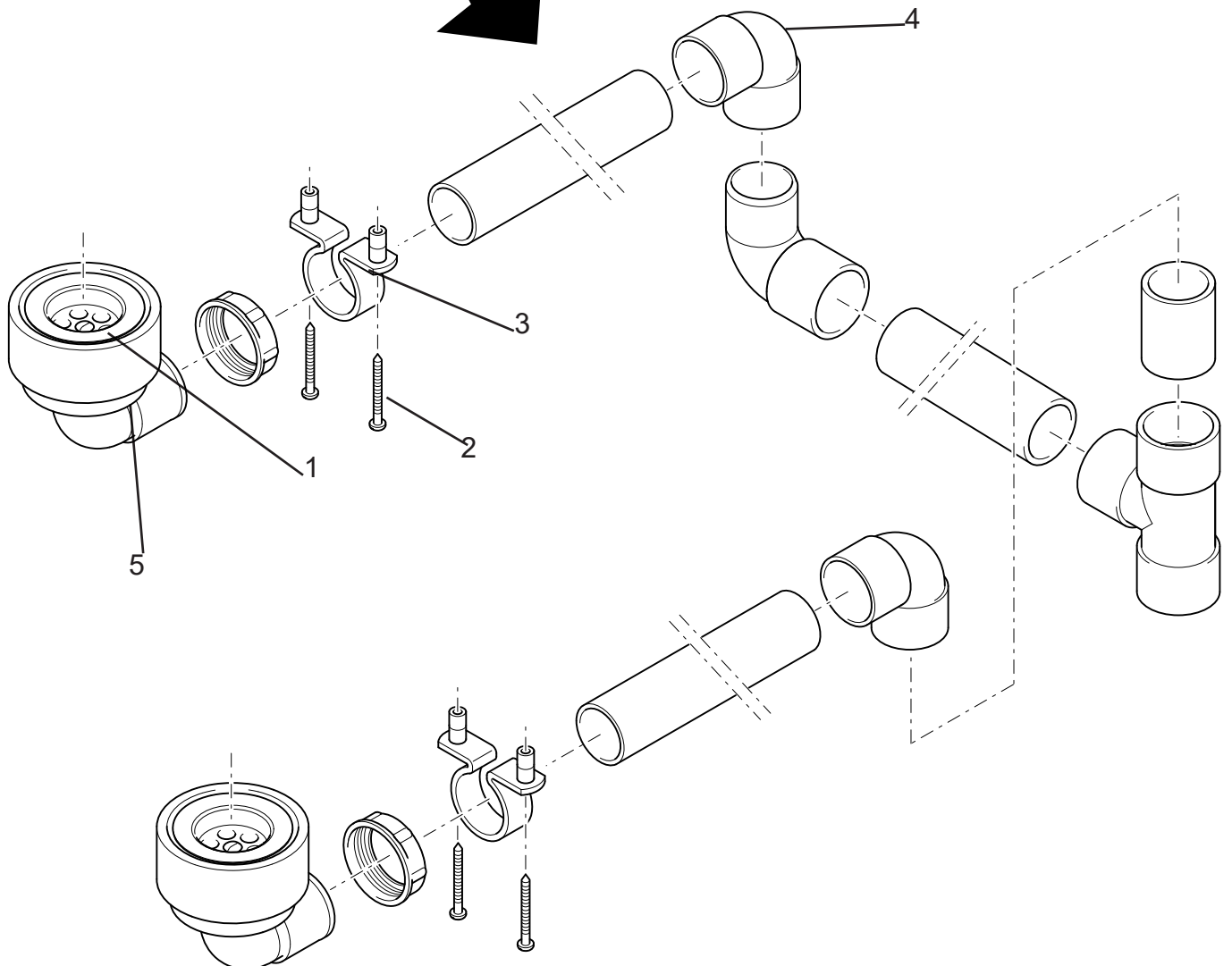
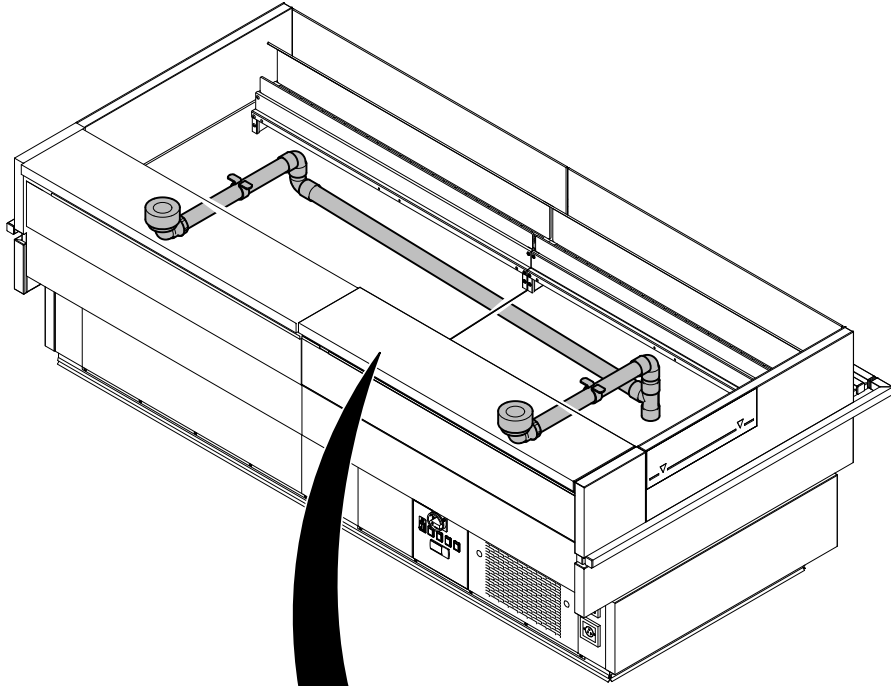
Cooling Cold view



Cooling Cold part numbers

Position number	Part number	Product name	Remark	Prio
		<i>(Deli); used for Cold, ColdPrep and Cold Essential</i>		
1	30009876s	Fan box 750 (Deli) with Fan 8314 NMU	Packed	2
1	30009875s	Fan box 1000 (Deli) with Fan 8314 NMU	Packed	2
1	30009874s	Fan box 1250 (Deli) with Fan 8314 NMU	Packed	2
1	30009873s	Fan box 1500 (Deli) with Fan 8314 NMU	Packed	2
		<i>(Meat); used for FreshCold, IceCold, and Fresh Essential</i>		
1	30009868s	Fan box 750 (Meat) with fan 8314 NLU	Packed	2
1	30009858s	Fan box 1000 (Meat) with fan 8314 NLU	Packed	2
1	30009861s	Fan box 1250 (Meat) with fan 8314 NLU	Packed	2
1	30009859s	Fan box 1500 (Meat) with fan 8314 NLU	Packed	2
2	30001330 new 30130561s	Fan 8414 NLU (Meat) changed to new number 8314 NLU		1
2	30000276 new 30130559s	Fan 8414 NMU anti fogging, (Deli) changed to new number 8314 NMU		1
3	30001781	Fan guard		3
4	30009947	Waterproof connector		1
5	30002167	Condensor TK680		2
5	30001786	Condensor TK1100		2
5	30001785	Condensor TK1500		2
5	30001511	Condensor TK1900		2
5	30001218	Condensor TK2300		2
5	30002172	Condensor TK2711		2
5	30002173	Condensor TK3000		2
6	30001395	Compressor Embraco 6170		2
6	30001396	Compressor Embraco 6187		2
6	30001397	Compressor Embraco 6210		2
6	30001398	Compressor Embraco 6212		2
6	30002171	Compressor Embraco 6214		2
7	30001219	Verical liquid receiver		2
8	Evaporator	Only available on special request	Serial number required	2

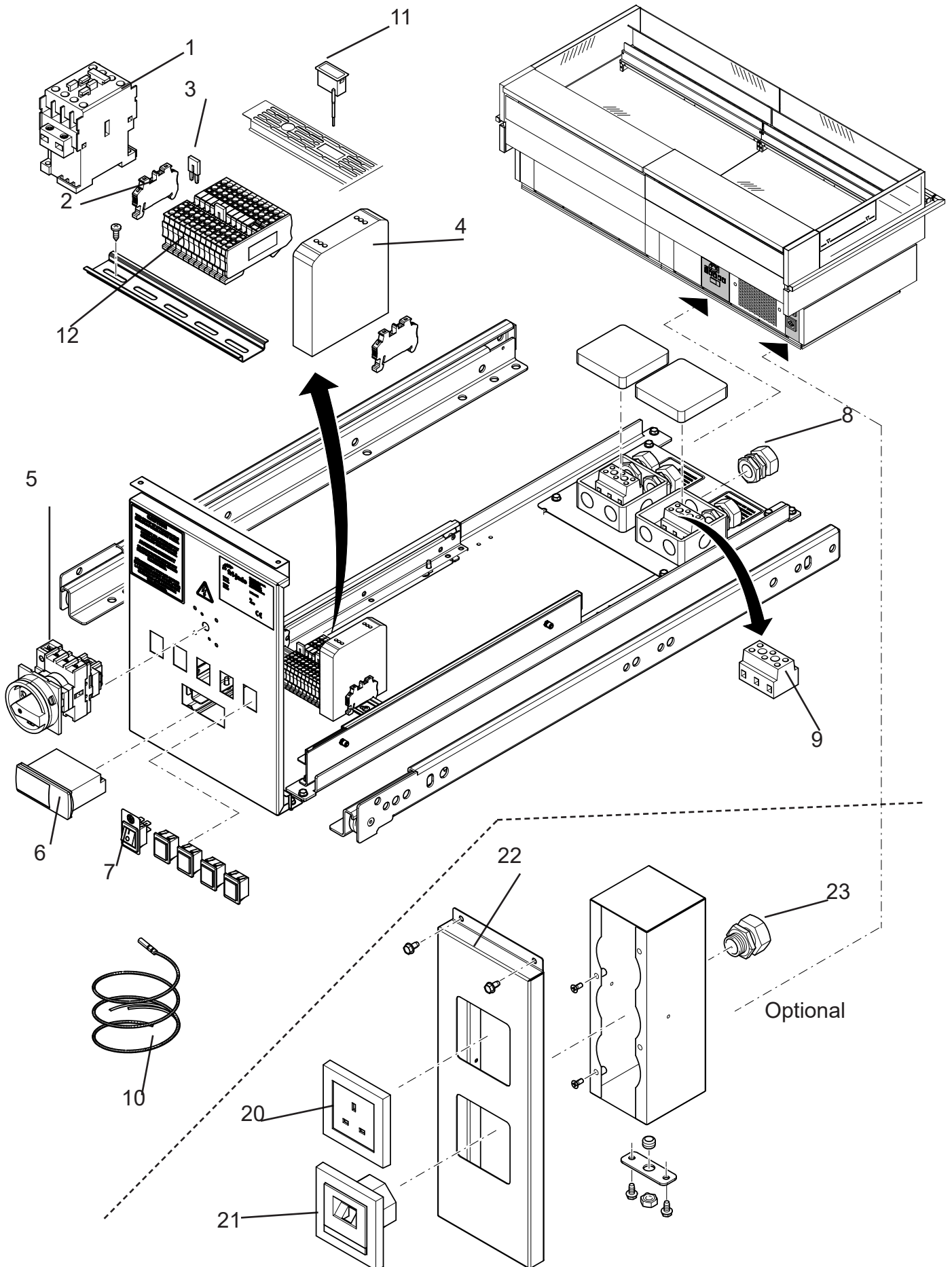
Drain Cold view



Drain Cold part numbers

Position number	Part number	Product name	Remark	Prio
1	3701202	Plug Drain 1 1/2"		
2	4286658	Screw ST 4,8 x 50 pan head tapping		
3	30001208	PVC Saddle 40 mm		
4	2023169	Elbow PVC 40 female ,glue		
5	8081002	Elbow 1 1/2" x 40 mm		

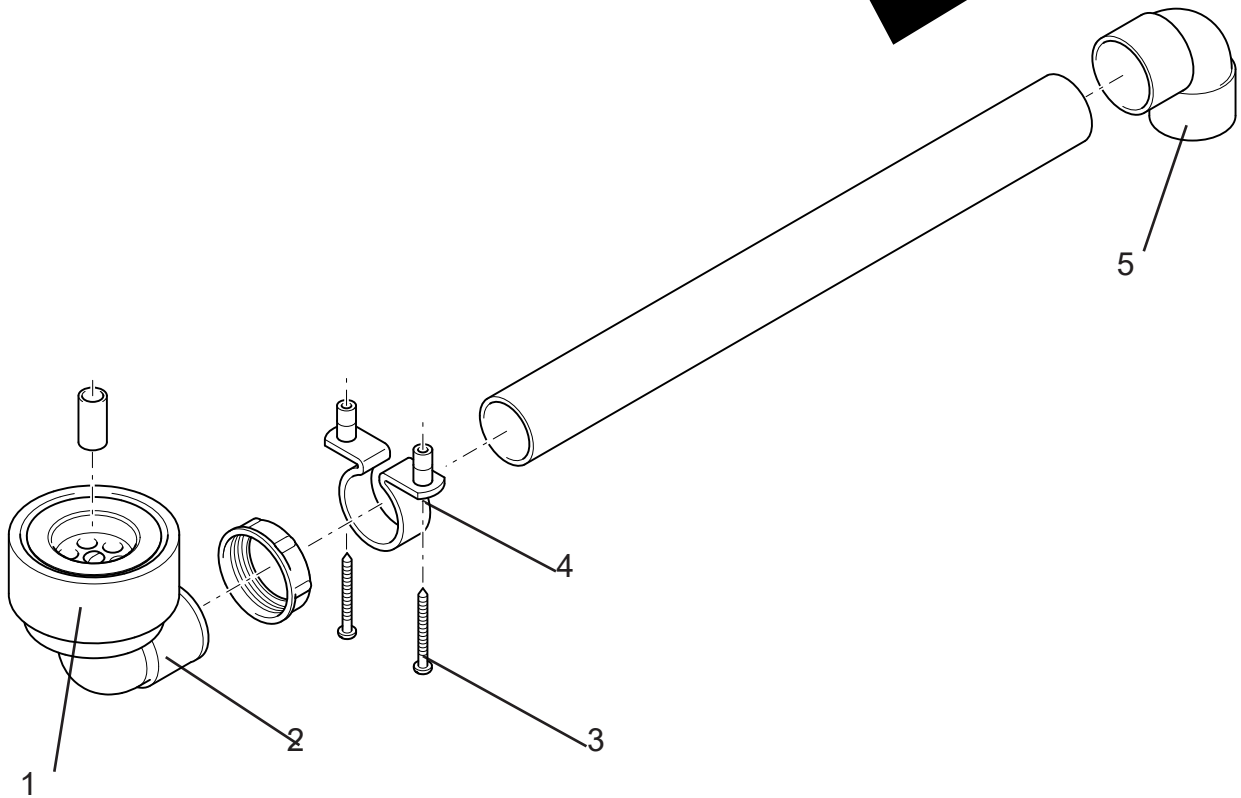
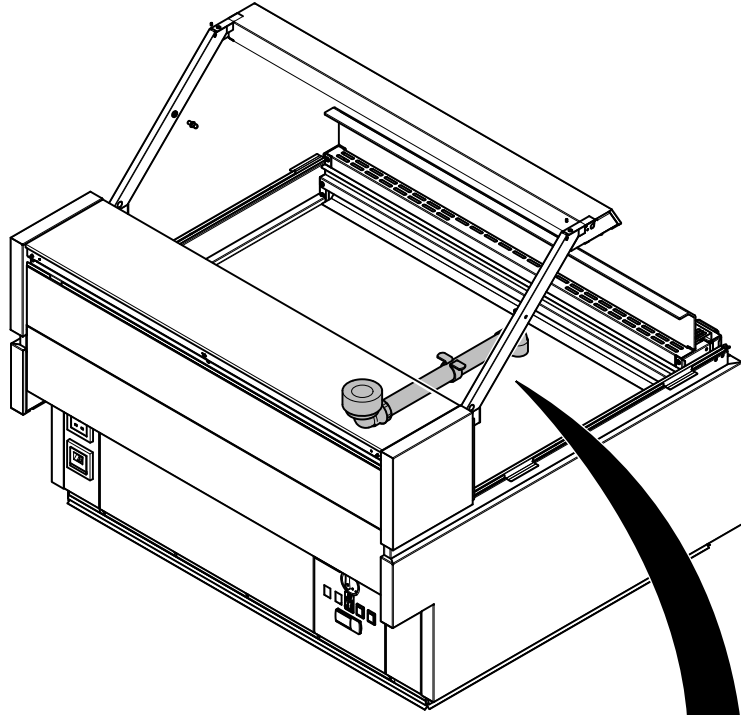
Electra Cold view



Electra Cold part numbers

Position number	Part number	Product name	Remark	Prio
1	3500069	Contactora AB 100-C09KL400 200-230V		2
2	9191222	End Clamp Clipfix 35-5 PHX		2
3	9191238	Plug-in bridge FBS 2-6 PHX		2
4	9301033	Power supply 24V DC		2
5	30001509	Main Switch 4-pole		2
6		Controller various types depending on request based on serial number		2
7	9181008	Tumble switch		2
8	9222076	Stain relief M20		2
9	9044564	Terminal block G10/3 1-2-3 polyamide		2
10	9221011	Sensor ptc 1000		2
11	9160043	Thermometer EU version Degree Celsius only		2
12	9191239	Terminal PT 4 PE (GN/YE) 4 qmm PHX		2
12	9191240	Terminal PT 4 PE (GY) 4 qmm PHX		2
12	9191241	Terminal PT 4 PE (BU) 4 qmm PHX		2
20	30002361	Ass. Power socket UK		3
20	30002360	Ass. Power socket EU		3
20	30002362	Ass. Power socket US		3
21	30002359	Ass. Data socket		3
22	30001826	Ass. back panel no socket		3
22	30001828	Ass. back panel one socket		3
22	30001827	Ass. back panel two sockets		3
23	9222077	Nut for cable gland M20		3

Drain Hot view

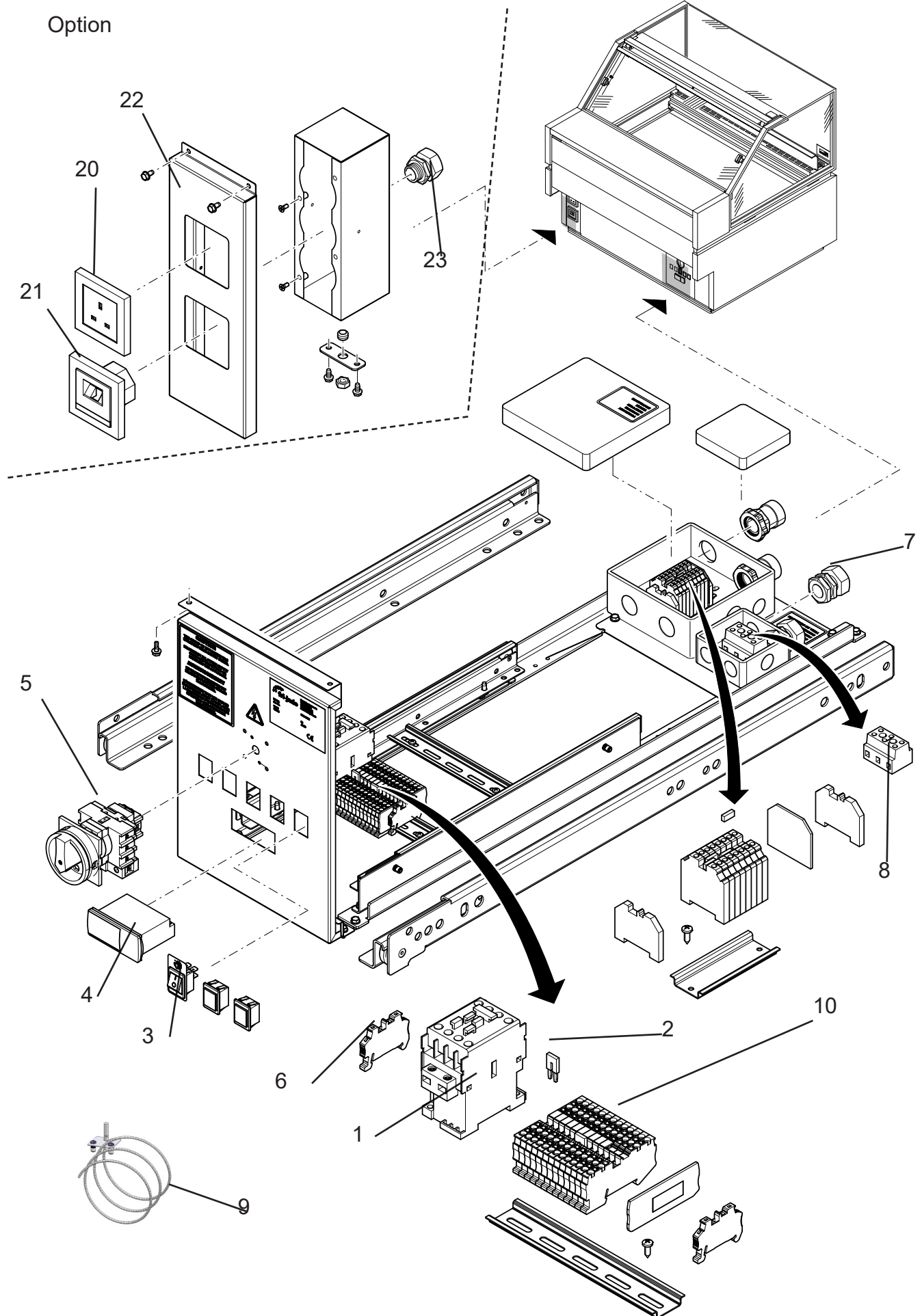


Drain Hot part numbers

Position number	Part number	Product name	Remark	Prio
1	3701202	Plug Drain 1 1/2"		
2	8081002	Elbow 1 1/2" x 40 mm		
3	4286658	Screw ST 4,8 x 50 pan head tapping		
4	30001208	PVC Saddle 40 mm		
5	2023169	Elbow PVC 40 female ,glue		

Electra Hot view

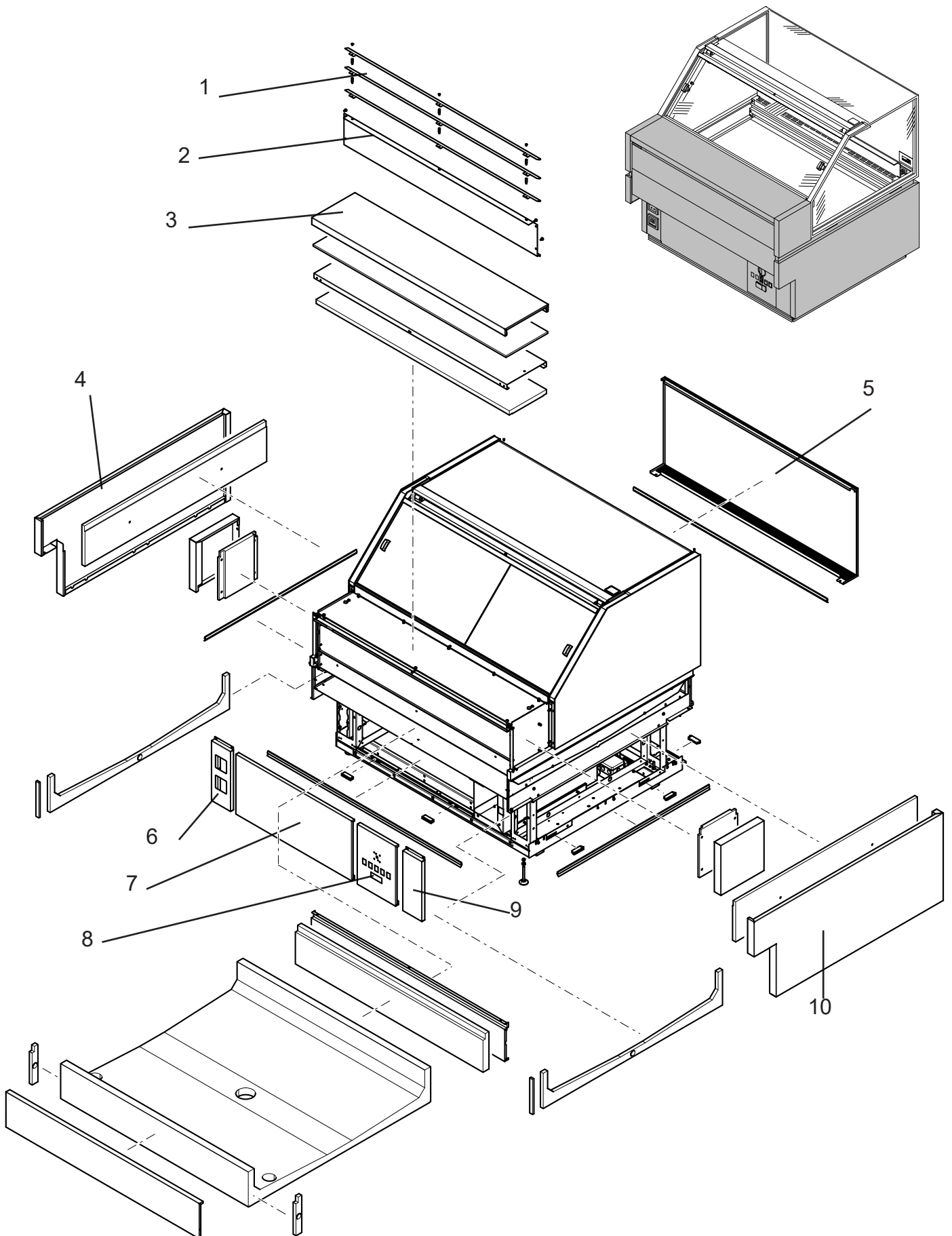
Option



Electra Hot part numbers

Position number	Part number	Product name	Remark	Prio
1	3500069	Contactora AB 100-C09KL400 200-230V		2
2	9191238	Plug-in bridge FBS 2-6 PHX		2
3	9181008	Tumble switch		2
4	Controller	Controller various types depending on request based on serial number		2
5	30003627	Main Switch 8 pole		2
6	9191222	End Clamp Clipfix 35-5 PHX		
7	9222076	Stain relief M20		2
8	9044564	Terminal block G10/3 1-2-3 polyamide		2
9	9221011	Sensor ptc 1000		2
10	9191239	Terminal PT 4 PE (GN/YE) 4 qmm PHX		2
10	9191240	Terminal PT 4 PE (GY) 4 qmm PHX		2
10	9191241	Terminal PT 4 PE (BU) 4 qmm PHX		2
20	30002361	Ass. Power socket UK		3
20	30002360	Ass. Power socket EU		3
20	30002362	Ass. Power socket US		3
21	30002359	Ass. Data socket		3
22	30001826	Ass. back panel no socket		3
22	30001828	Ass. back panel one socket		3
22	30001827	Ass. back panel two sockets		3
23	9222077	Nut for cable gland M20		3

Cover parts Hot view



Cover parts hot part numbers

Position number	Part number	Product name	Remark	Prio
1		Only available on special request	Serial number required	
2		Only available on special request	Serial number required	
3		Only available on special request	Serial number required	
4		Only available on special request	Serial number required	
5		Only available on special request	Serial number required	
6		Only available on special request	Serial number required	
7		Only available on special request	Serial number required	
8		Only available on special request	Serial number required	
9		Only available on special request	Serial number required	
10		Only available on special request	Serial number required	

Trouble shooting CC Cold

TROUBLESHOOTING CUSTOM COUNTER COLD	
Symptom	Possible causes
No power to Custom Counter controls.	<ol style="list-style-type: none"> 1. Main breaker open. 2. Tumble switch malfunction. 3. Main switch malfunction. 4. Wiring loose.
No indication on electronic thermostat, but the lighting is functioning.	<ol style="list-style-type: none"> 1. Electronic thermostat malfunction. 2. Tumble switch malfunction. 3. Wiring loose.
Main fuse or breaker blows.	<ol style="list-style-type: none"> 1. Wiring incorrectly. 2. Blower shorted.??????? zijn 24V blowers 3. Wiring shorted.
Illumination does not work.	<ol style="list-style-type: none"> 1. LED lamp malfunction. 2. Tumble switch malfunction. 3. Power supply unit malfunction. 4. Wiring loose.
Display does not reach set temperature.	<ol style="list-style-type: none"> 1. Incorrect line voltage. 2. PTC 1k temperature sensor malfunction. 3. Condenser filled with dust. 4. Blower condenser malfunction. 5. Cooling system inoperative or defective. 6. Airflow around condenser blocked. 7. Ambient temperature too high. 8. Contactor malfunction. 9. Defrosting sensor malfunction. 10. Parameters not according specified values. 11. programmed thermostat. 12. One or more blowers defective. 13. Unit is placed in direct sunlight or near a heat source. 14. Products are stacked too high. 15. Unit is wrongfully installed and cannot dispose of heat.
Cooling system does not initiate (compressor does not run).	<ol style="list-style-type: none"> 1. PTC-1000 temperature sensor malfunction. 2. Tumble switch malfunction. 3. Compressor defective or parts associated with it. 4. Incorrectly programmed thermostat. 5. Defrosting sensor malfunction. 6. Wiring loose.

Cooling compressor switches on and off on the thermistor inside the compressor.	<ol style="list-style-type: none"> 1. Condenser filled with dust. 2. Blower condenser malfunction. 3. Airflow around condenser blocked. 4. Tension too low. 5. Products inside the cabinet are too warm. 6. Too much refrigerant in the system.
Water does not drain.	<ol style="list-style-type: none"> 1. Clogged drain pipe and or tube. 2. One or more tubes are not descending.
No air circulation within the Custom Counter.	<ol style="list-style-type: none"> 1. Obstruction of one or more of the ventilation openings in the front or rear. 2. One or more blowers inoperative or defective. 3. Evaporator frosted or clogged with dirt. 4. Wiring loose.
Evaporator full of ice.	<ol style="list-style-type: none"> 1. High humidity. 2. Setpoint too low. 3. Defrost sensor not in right position. 4. Defrost sensor malfunction. 5. Parameters not according specified values. 6. Electronic thermostat malfunction.
Error E1 on display thermostat.	<ol style="list-style-type: none"> 1. Fault in controller. Try to reset by pulling plug out and in again.
Error E27 on display thermostat.	<ol style="list-style-type: none"> 1. Evaporator temperature sensor broken or wiring problem.
Error E29 on display thermostat.	<ol style="list-style-type: none"> 1. Cabinet temperature sensor broken or wiring problem.

Trouble shooting CC Hot

TROUBLESHOOTING CUSTOM COUNTER HOT

Symptom	Possible causes
No power to Custom Counter controls.	<ol style="list-style-type: none"> 1. Main breaker open. 2. Tumble switch malfunction. 3. Main switch malfunction. 4. Wiring loose.
No indication on electronic thermostat, but the lighting is functioning.	<ol style="list-style-type: none"> 1. Electronic thermostat malfunction. 2. Tumble switch malfunction. 3. Wiring loose.
Main fuse or breaker blows.	<ol style="list-style-type: none"> 1. Wiring incorrectly. 2. Blower shorted. 3. Wiring shorted.
Illumination does not work.	<ol style="list-style-type: none"> 1. LED lamp malfunction. 2. Tumble switch malfunction. 3. Power supply unit malfunction. 4. Wiring loose.
Display does not reach set temperature.	<ol style="list-style-type: none"> 1. Incorrect line voltage. 2. PTC 1k temperature sensor malfunction. 3. Heaters inoperative. 4. Contactor K1 inoperative. 5. Blower motor(s) inoperative. 6. Relay on thermostat malfunction. 7. Parameters not according specified values. 8. Wiring loose.
Display temperature gets too high.	<ol style="list-style-type: none"> 1. PTC 1k temperature sensor malfunction. 2. Contactor inoperative. 3. Blower motor(s) inoperative. 4. Relay on thermostat malfunction.
Illumination does not work.	<ol style="list-style-type: none"> 1. LED lamp malfunction. 2. Tumble switch malfunction. 3. Power supply unit malfunction. 4. Wiring loose.
Heating stays in.	<ol style="list-style-type: none"> 1. Contactor K1 malfunction. 2. Sensor not in right position. 3. Sensor malfunction. 4. Thermostat malfunction.

Trouble shooting Humidification

TROUBLESHOOTING R.O. FILTER (REVERSED OSMOSE)

Symptom	Possible causes
Continuous water supply.	<ol style="list-style-type: none"> 1. R.O. membrane filter saturated. 2. Water leakage between water supply and sediment and/or carbon filter.
No water supply.	<ol style="list-style-type: none"> 1. Tap water closed. 2. Red water tube kinked. 3. Malfunction shut off valve.
R.O. system makes some noise.	<ol style="list-style-type: none"> 1. System vibrates on base plate and is not thightened. 2. Loose parts on filter.
Leaking cartridge-case.	<ol style="list-style-type: none"> 1. Cartridge-case broken. 2. Rubber gasket of gasket-case broken. 3. Blower shorted.
High conductivity of the purified water. (This is the water after the membrane).	<ol style="list-style-type: none"> 1. Membrane damaged. 2. Incorrect connection of the membrane. 3. Flow restrictor clogged. 4. Black drain tube kinked or clogged.

TROUBLESHOOTING ULTRASONIC HUMIDIFIER

Symptom	Possible causes
No power to humidifier.	<ol style="list-style-type: none"> 1. Main breaker open. 2. Fuse transformer burned. 3. Switch malfunction. 4. Transformer burned. 5. PCB (printed circuit board) transformer broken. 6. Main switch broken. 7. Wiring loose.
Continuous water supply, overflow of water.	<ol style="list-style-type: none"> 1. Water supply solenoid malfunction. 2. Dirt on water level sensor. 3. Water level sensor(s) malfunction. 4. Water supply valve malfunction. 5. Wiring loose.
No water supply.	<ol style="list-style-type: none"> 1. Tap water closed. 2. Blue water supply tube kinked. 3. Water supply valve malfunction. 4. Wiring loose.

No or no sufficient production of fog.	<ol style="list-style-type: none"> 1. limited or no water supply. 2. Water lock in duct hose for humidifying. 3. Water supply valve malfunction. 4. Oil contamination of water in water tank. 5. oscillator malfunction. 6. Blower malfunction. 7. Water level sensor malfunction. 8. PCB (printed circuit board) malfunction. 9. Transformer malfunction. 10. Wiring loose.
Red lamp on transformer humidifier is on.	<ol style="list-style-type: none"> 1. UV lamp malfunction.

TROUBLESHOOTING MISTING SYSTEM

Symptom	Possible causes
No power to misting system.	<ol style="list-style-type: none"> 1. Main breaker open. 2. Fuse burned. 3. Power switch malfunction. 4. Transformer malfunction. 5. Timer module malfunction. 6. Wiring loose.
No water supply.	<ol style="list-style-type: none"> 1. Tap water closed. 2. Green water tube kinked. 3. Wiring loose.
No or no sufficient production of mist.	<ol style="list-style-type: none"> 1. limited or no water supply. 2. Mist time setting on timer module is too low. 3. Purge time setting on timer module is too low. 4. Timer module malfunction. 5. Pump(s) malfunction. 6. Mist valve malfunction. 7. Purge valve malfunction. 8. Pressure switch malfunction.
Water drops on the nozzles.	<ol style="list-style-type: none"> 1. Purge time setting on timer module is too low. 2. Purge valve malfunction. 3. Red water tube kinked. 4. Timer module malfunction. 5. Nozzles malfunction.
Pumps never turn off.	<ol style="list-style-type: none"> 1. Pressure switch malfunction. 2. Pump malfunction. 3. Wiring loose.
Pumps never turn on.	<ol style="list-style-type: none"> 1. Pressure switch malfunction. 2. Pump malfunction. 3. wiring loose.



Fri-Jado B.V.
Blauwhekken 2
4751 XD Oud Gastel
The Netherlands
Tel: +31 (0) 76 50 85 400