

In-store impulse-generating merchandiser

Multi Deck 40 - 5 level



Selling hot food from a self serve merchandiser is a great way to increase your sales and margins. The Fri-Jado heated Multi Deck triggers your customers to pick up hot grab-and-go products in a quick and convenient way, anywhere in the store. And thanks to its upright design, it only uses limited floor space.

Hot air is blown from the front of the shelf and circulates within the shelf surface resulting in optimum air circulation around the hot product.

Large glazed walls give a 180-degree view of the products. The appealing design gives outstanding product presentation which is sure to boost impulse sales.

Features MD 40 - 5

Top features

- Self serve heated Multi Deck display
- Attractive presentation that boosts impulse sales
- Patented Hot Blanket holding technology keeps products warm
- Customizable price strips
- Illuminated, customizable top banner
- Safety lighting on each level

Standard characteristics

- 40" wide - 5 level display
- Maintains products at a minimum temperature of 150°F for up to four hours
- Ideal for chicken, wraps, snacks, soups etc.
- Upright design saves space
- Total display capacity of 23.73ft²
- Footprint of 8.61ft²
- Shatter-resistant clear side glass for optimum safety
- Saves up to 20% on energy by air-curtain technology on each shelf
- Safe holding temperature for up to four hours
- Angled shelves provide optimum product visibility
- Front bumpers to protect from shopping carts
- Solid back as standard
- 98% recyclable (environmentally friendly)
- Plug-and-play

Accessories

- Customer-side temperature indicator
- Lower skirts (covering wheels)

Optional

- Doors at rear (pass through)
- Front doors



Optimum product visibility



Signage



Rear doors (optional)



Keeps hot food at 150°F

MD 40-5

1 Power cable, 10 ft.

Dimensions

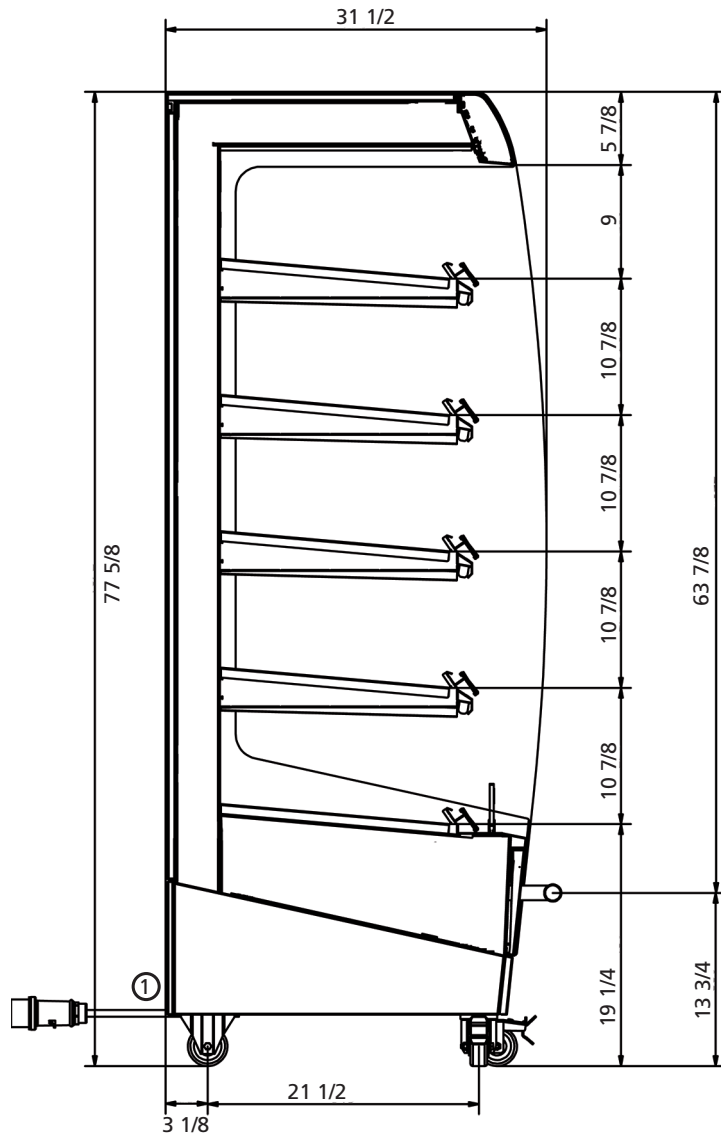
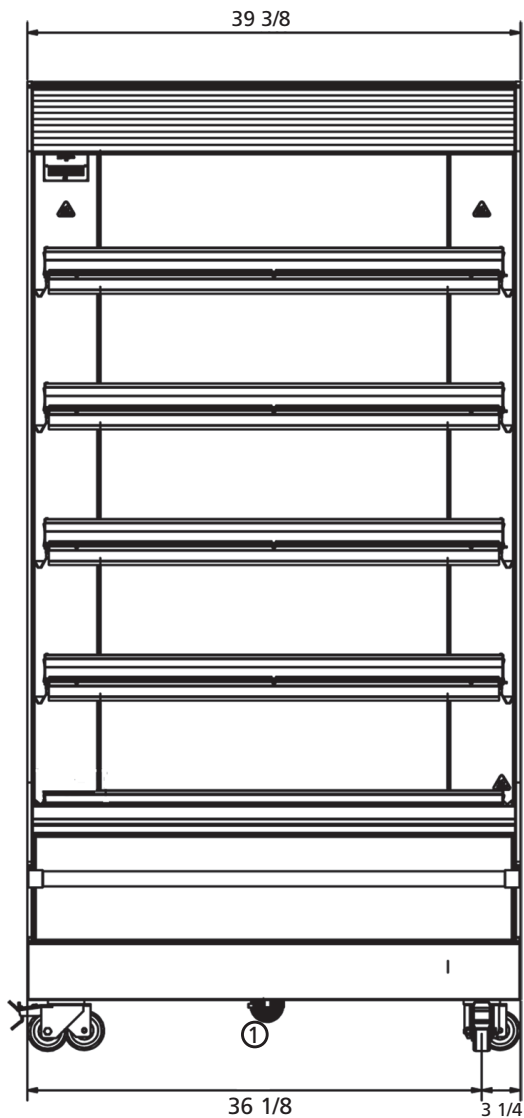
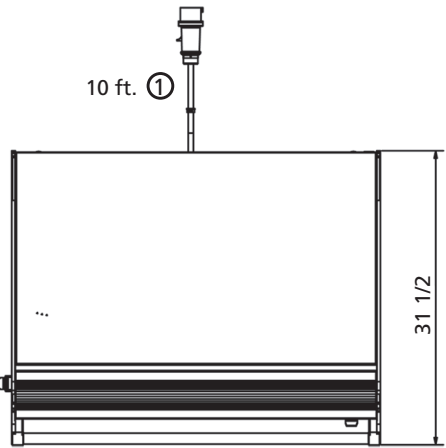
Width	39 3/8"
Depth	31 1/2"
Height	77 5/8"

Technical data

Net weight	604 lbs
Gross weight	710 lbs
Voltage	3~208 V
Frequency	60 Hz
Power	5.5 kW
Plug	NEMA 15-20P

Specifications and technical data are subject to amendment without notice.

These are basic drawings. For more detailed technical information, please refer to the installation manual at www.frijado.com.



Fri-Jado Inc.
 1401 Davey Road
 Suite 100
 Woodridge IL 60517
 Toll free 877-374-5236
 Fax 630-689-1424
 e-mail us.info@frijado.com
usa.frijado.com