

In-store impulse-generating merchandiser

Multi Deck 48 - 3 level



Selling hot food from a self serve merchandiser is a great way to increase your sales and margins. The Fri-Jado heated Multi Deck triggers your customers to pick up hot grab-and-go products in a quick and convenient way, anywhere in the store. And thanks to its upright design, it only uses limited floor space.

Hot air is blown from the front of the shelf and circulates within the shelf surface resulting in optimum air circulation around the hot product.

As the Multi Deck has limited height it can easily be installed as an aisle end or integrated in your deli department without blocking your customers' view. The large glass surface and lighting on each shelf draw extra attention to your products, boosting impulse sales.

Features MD 48 - 3

Top features

- Self serve heated Multi Deck display
- Attractive presentation that boosts impulse sales
- Patented Hot Blanket holding technology keeps products warm
- Customizable price strips
- Illuminated, customizable top banner
- Safety lighting on each level

Standard characteristics

- 48" wide - 3 level display
- Maintains products at a minimum temperature of 150°F for up to four hours
- Ideal for chicken, wraps, snacks, soups etc.
- Upright design saves space
- Total display capacity of 17.13 ft²
- Footprint of 10.32 ft²
- Shatter-resistant clear side glass for optimum safety
- Saves up to 20% on energy by air-curtain technology on each shelf
- Safe holding temperature for up to four hours
- Angled shelves provide optimum product visibility
- Cross-merchandising capabilities
- Front bumpers to protect from shopping carts
- Solid back as standard
- 98% recyclable (environmentally friendly)
- Plug-and-play

Accessories

- Customer-side temperature indicator
- Lower skirts (covering wheels)

Optional

- Doors at rear (pass through)
- Front doors



Optimum product visibility



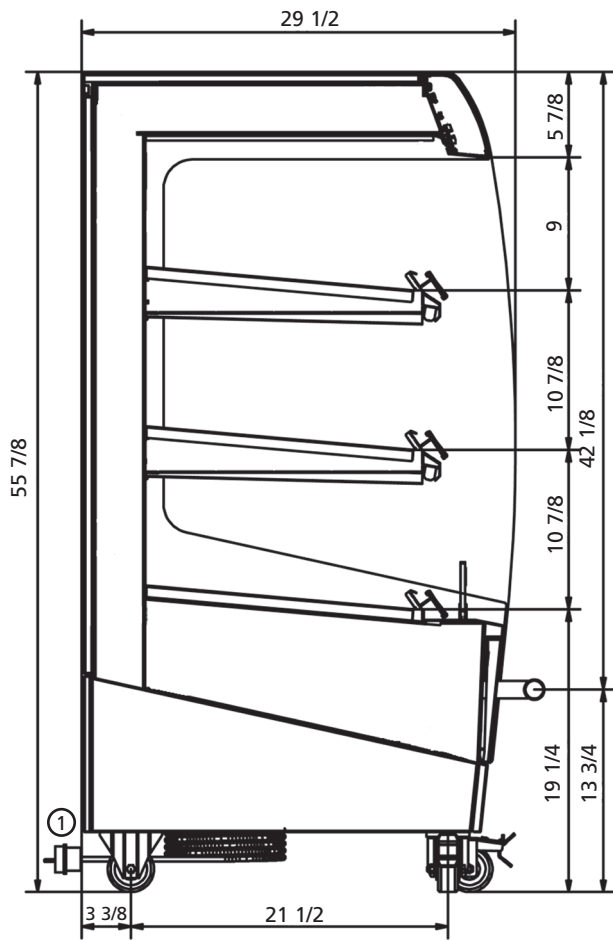
Signage



Rear doors (optional)



Keeps hot food at 150°F



MD 48-3

1 Power cable, 10 ft.

Dimensions

Width	47 1/4"
Depth	31 1/2"
Height	55 7/8"

Technical data

Net weight	474 lbs
Gross weight	518 lbs
Voltage	208 V
Frequency	60 Hz
Power	4.4 kW
Plug	NEMA 6-30P

Specifications and technical data are subject to amendment without notice.

These are basic drawings. For more detailed technical information, please refer to the installation manual at www.frijado.com.

