

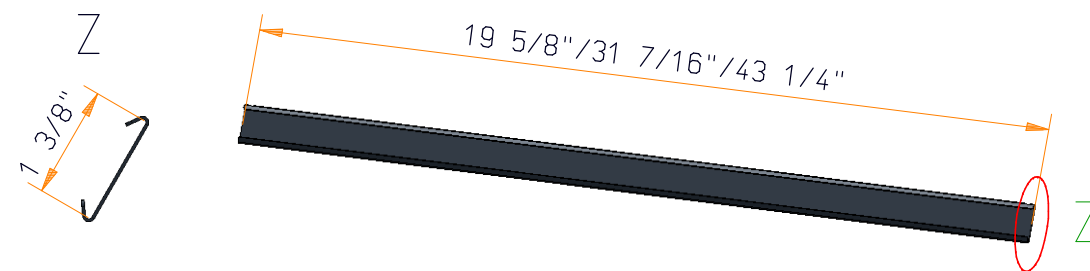


Brand setting guide  
MCC 2-level

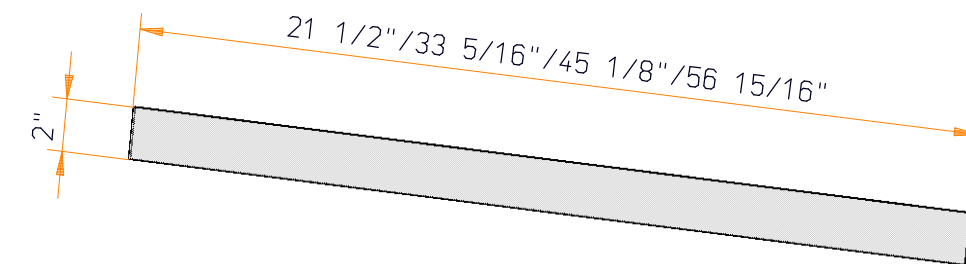
Imperial  
All dimensions in inches

Variable length dimensions for  
24/36/48/60" models

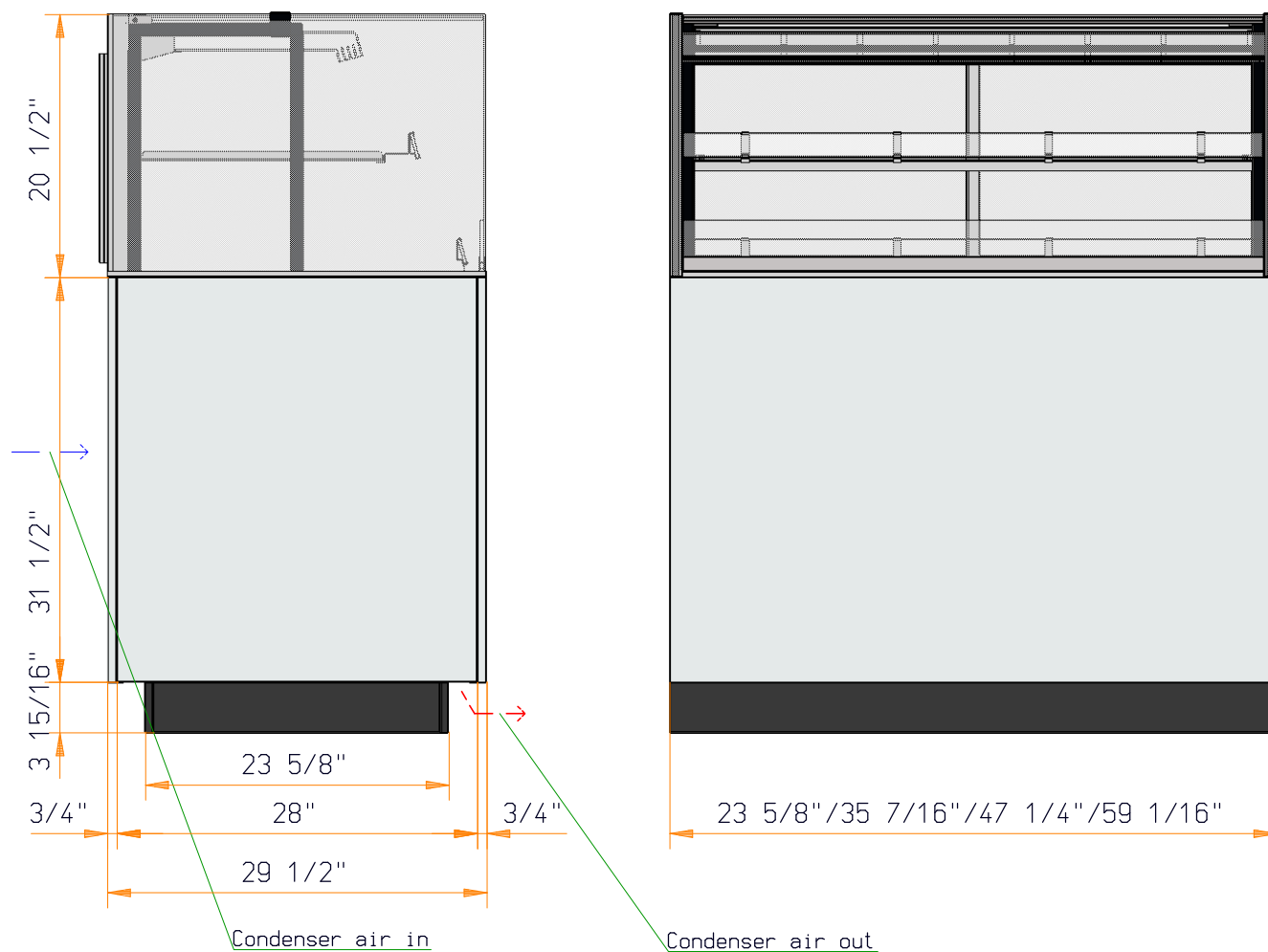
Price rail dimensions  
MCC Hot SS



Price rail dimensions  
MCC Cold FS/SS  
Hot FS/SS Humidified

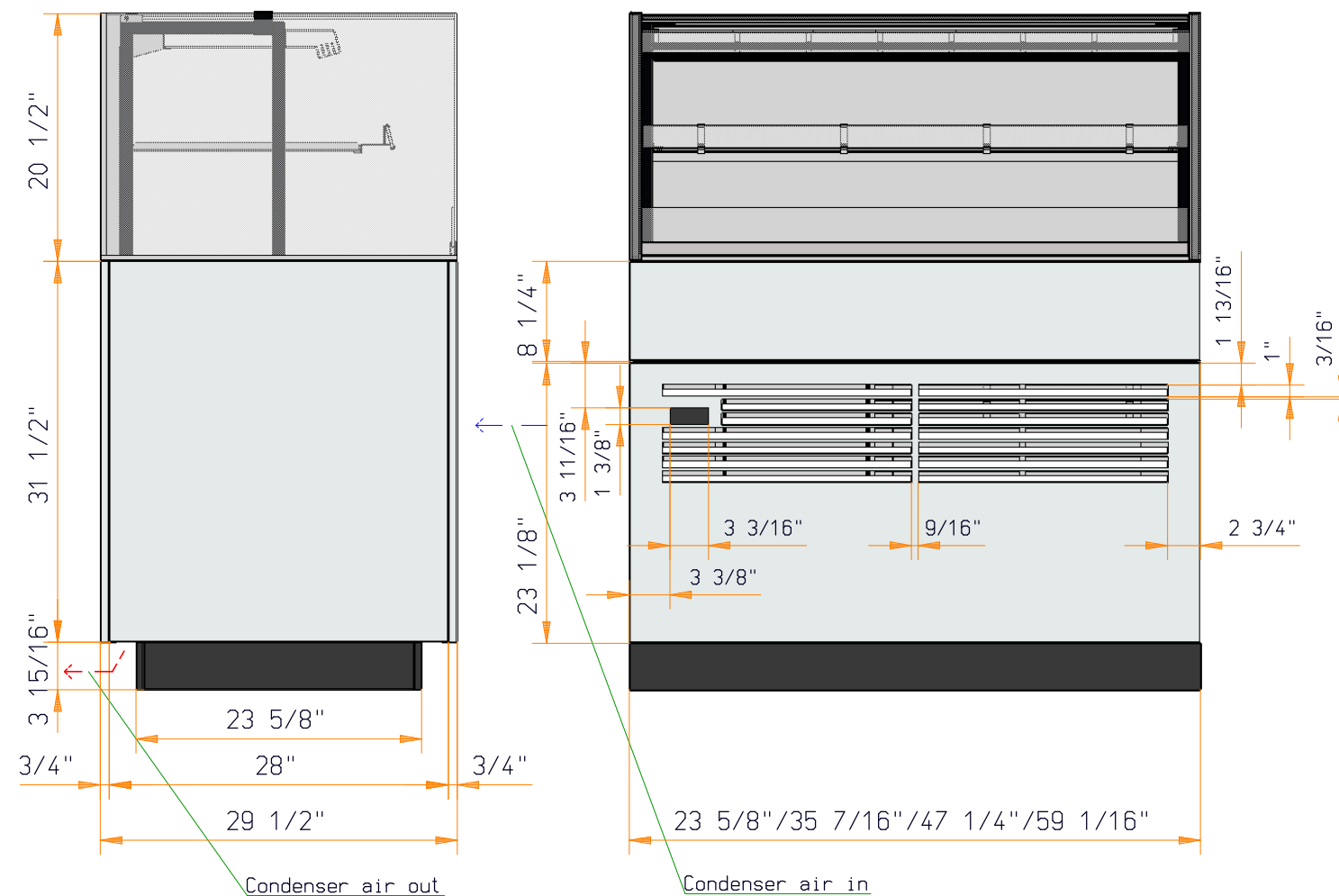


Panel dimensions  
Pass through models



Refer to technical data sheets for ventilation requirements

Panel dimensions  
Solid back models



Front hatch closed in hot/ambient models  
Front hatch ventilated in cold models  
Refer to technical data sheets for ventilation requirements