

USER MANUAL

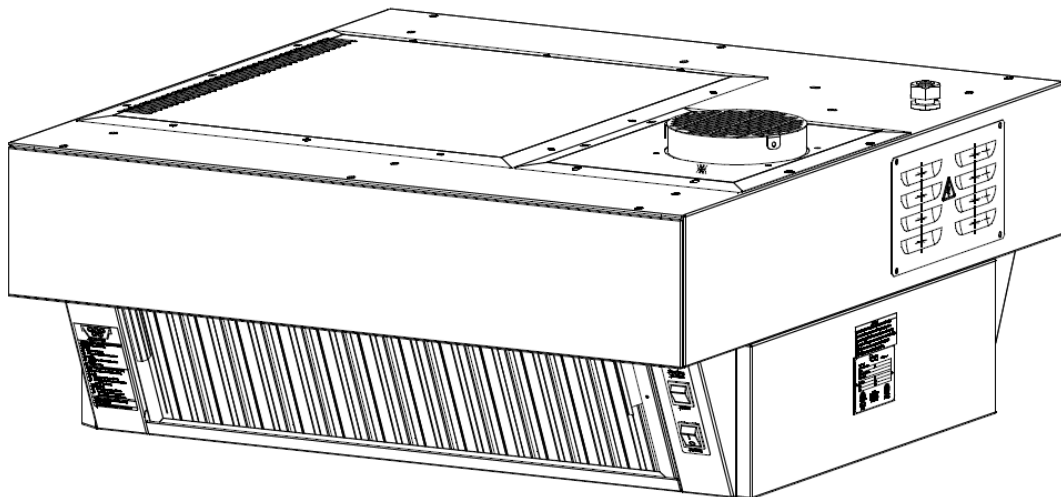
Exhaust-Hood Type 5

Exhaust-Hood Type 5 AC

Exhaust-Hood Type 8

Exhaust-Hood Type 8 AC

Exhaust-Hood Type 8L AC



WARNING

Read the instructions before using the machine.

KEEP THIS USER MANUAL FOR FUTURE USE

© 2024 Fri-Jado B.V., Oud Gastel, The Netherlands.

We advise you to contact your supplier for the guarantee period and conditions. Further we refer to our General Terms and Conditions for Sales and Delivery that are available upon request.

The manufacturer does not accept any liability for damage or injury caused by failing to adhere to these regulations or by not observing the usual caution or care in actions, operation, maintenance or repair activities, even if not explicitly described in this manual.

As a result of constant commitment to improvement, it may happen that your unit deviates in detail from what is described in this manual. For this reason, the given instructions are only a guideline for the installation, use, maintenance and repair of the unit referred to in this manual. This manual has been composed with the utmost care. The manufacturer shall, however, not be held responsible for any mistakes in this manual nor for any consequences thereof. The user is allowed to copy this manual for own use. Further all rights are reserved and nothing in this manual may be reproduced and/or made public in any way.

Modifications:

In case of unauthorized modifications in or on the unit, every liability on the part of the manufacturer becomes null and void.

CONTENTS

1.	INTRODUCTION	4
1.1	General.....	4
1.2	Identification of the unit.....	4
1.3	Pictograms and symbols.....	4
1.4	Safety instructions	5
1.5	Service and technical support	5
1.6	Storage.....	6
1.7	Disposal.....	6
2.	DESCRIPTION OF THE UNIT	6
2.1	Technical description	6
2.2	Accessories	6
3.	INSTALLATION AND FIRST USE	6
3.1	Unpacking the unit	6
3.2	Installation	7
3.2.1	Prepare the Exhaust-Hood	7
3.2.2	Installing the Exhaust-Hood on a TDR.....	8
3.3	First use.....	8
4.	OPERATION AND USE	9
4.1	Switching on the unit.....	9
4.2	Filter position detection (USA models only).....	9
4.3	Charcoal (odor) filter pollution detection (USA models only)	9
4.4	Switching off the unit.....	9
4.5	Warnings on the grill unit (USA models only)	9
4.5.1	Message hood operation	9
4.5.2	Message filter placing	9
4.5.3	Message filter polluted.....	9
5.	CLEANING AND MAINTENANCE	11
5.1	Maintenance schedule	11
5.2	Weekly maintenance.....	11
5.3	Semi-annual maintenance	12
6.	MALFUNCTIONS AND SERVICE	13
6.1	Check the fan	13
6.2	Replacing the mains cord	13
7.	TECHNICAL SPECIFICATIONS	14

1. INTRODUCTION

1.1 General

This manual describes the Exhaust-Hood. The features and controls are being described, along with directions for the safest and most efficient use, in order to guarantee a long life of the unit.

The Exhaust-Hood is available for different type(s) of Fri-Jado equipment (Rotisserie). It can also be placed on single or stacked (double) units.

All pictograms, symbols and drawings in this manual apply to all Exhaust-Hood models.

1.2 Identification of the unit

The identification plate can be found on the outside of the machine, and contains the following data:

- Name of the supplier or the manufacturer
- Model
- Serial number
- Year of construction
- Voltage
- Frequency
- Power consumption.

1.3 Pictograms and symbols

In this manual, the following pictograms and symbols are used:



WARNING

Possible physical injury or serious damage to the unit, if the instructions are not carefully followed.



WARNING

Hazardous electrical voltage.



WARNING

Danger of getting injured by hot surfaces.



Suggestions and recommendations to simplify indicated actions.



Recycling symbol.

1.4 Safety instructions



WARNING

The outside of the unit can be very hot.



WARNING

Place no load on top of the unit.



WARNING

See installation instructions for grounding requirements.



WARNING

Risk of slippery floor: Spills may cause slippery surfaces, clean-up promptly.

The user of the unit will be fully responsible for abiding the locally prevailing safety- rules and regulations.

The unit may be operated by qualified and authorized persons only. Anyone working on or with this unit must be familiar with the contents of this manual and carefully follow all guidelines and instructions. Never change the order of the steps to be performed. The management must instruct the personnel on the basis of this manual and follow all instructions and regulations.

The pictograms, labels, instructions and warning signs attached to the unit, are part of the safety measures. They may never be covered or removed, and have to be clearly visible during the entire lifetime of the unit.

Immediately repair or replace damaged or illegible pictograms, warnings and instructions.

- To avoid short-circuiting, never clean the unit using a water hose. For cleaning instructions, see section 5.
- During use, the unit can get very hot.
- The unit must be cleaned regularly to ensure proper functioning.
- This appliance can be used by children aged from 8 years and above and persons with reduced physical, sensory or mental capabilities or lack of experience and knowledge if they have been given supervision or instruction concerning use of the appliance in a safe way and understand the hazards involved.
- Children shall not play with the appliance.
- Cleaning and user maintenance shall not be made by children without supervision.

1.5 Service and technical support

The electrical schematics of your unit is included. In case of malfunctions you can contact your dealer/service agent. Make sure you have the following data available:

- Model.
- Serial number.

This data can be found on the identification plate.

1.6 Storage

If the unit will not be used temporarily, and will be stored, follow these instructions:

- Clean the unit thoroughly.
- Wrap the unit from getting dusty.
- Store the unit in a dry, non-condensing environment.

1.7 Disposal



Dispose of the machine, any components or lubricants removed from it safely in accordance with all local and national safety and environment requirements.

2. DESCRIPTION OF THE UNIT

2.1 Technical description

The Exhaust-Hood use a fan to lead the emitted damp and odor through a set of filters.

The Exhaust-Hood is controlled by the main switch.

For optimal safety the filter positioning detection and charcoal (odor) filter pollution detection prevents the Rotisserie(s) from operating (American units only).

The plating of the unit is made of stainless steel.

The mains cable is provided with a plug.

2.2 Accessories

Your unit contains the following standard accessories:

- Grease filters (2 off).
- Charcoal filters (5 off).
- User manual.

For optional accessories contact: customer.service@frijado.com.

3. INSTALLATION AND FIRST USE



All packing materials used for this unit are suited for recycling.

After unpacking, check the state of the unit. In case of damage, store the packing material, and contact the transporter within fifteen working days after receiving the goods.

3.1 Unpacking the unit

The Exhaust-Hood is placed in a cardboard box with protective corners on a wooden pallet.

The charcoal filters are with their plastic protection cover placed on top of the Exhaust-Hood. Around the box there are two tightening straps.



Leave the plastic protection around the charcoal filters as long as possible to minimize the time reduction of the filters.

1. Take the charcoal filters out of the box.
2. Take the unit out of the box.
3. Remove all remaining packing materials and protective layers from the Exhaust-Hood.

3.2 Installation



WARNING

Place the Exhaust Hood only on a levelled unit. A inclined plane of maximum 5° is allowed.



WARNING

Ensure there is sufficient freedom above the unit.



WARNING

Note the mass of the Exhaust-Hood. Lift the hood with two or more persons.



WARNING

Electric shock hazard. Grounding instructions: only connect the appliance to an alternating current provided by a grounded wall socket, with a mains voltage in accordance with the information indicated on the data plate of the appliance.

It is the consumer's responsibility to make sure the electrical installation conforms with current national and local codes and wiring regulations.

Do not use a multi plug or extension cord. Such can result in fire, electrical shock, or other personal injury.

Failure to follow these instructions can result in death or serious injury.

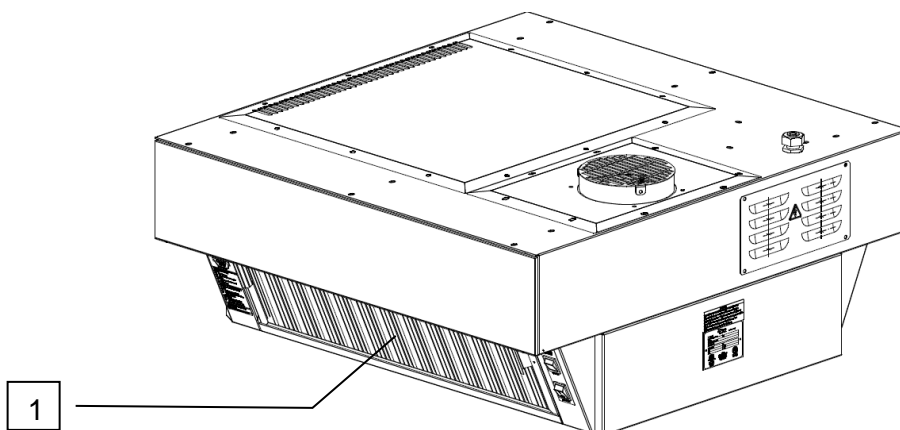


Remove the grease filters prior placing the Exhaust-Hood to reduce mass for easier lifting.



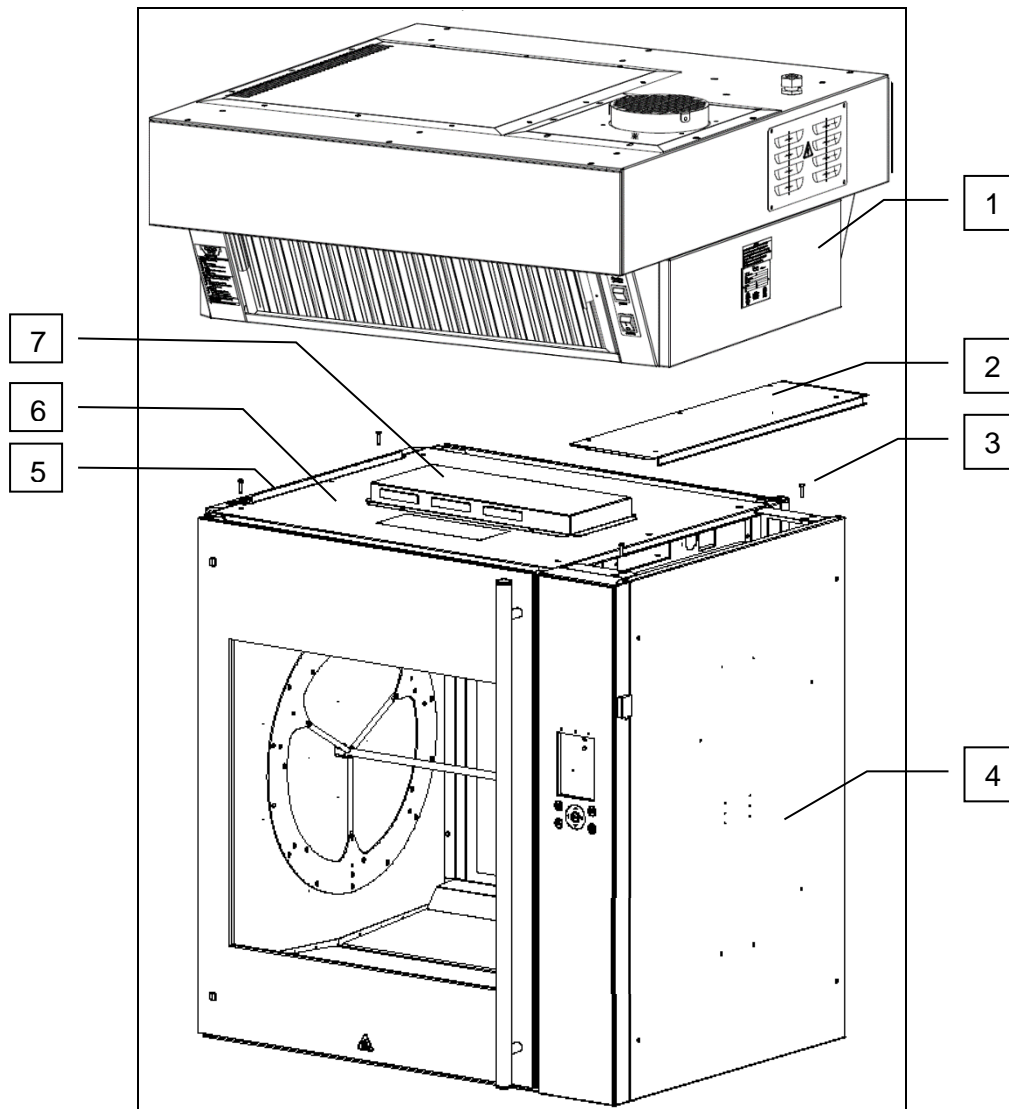
This section describes the installation on a single TDR unit. Nevertheless installation is possible on other or double units.

3.2.1 Prepare the Exhaust-Hood



1. Remove the two grease filters [1]. Refer to section 5.2

3.2.2 Installing the Exhaust-Hood on a TDR



1. Demount the TDR side plates [4] and [5].
2. TDR5: Demount the TDR top plate [2] above the control compartment.
TDR8: Demount the TDR top plate [6], demount the ventilation hatch [7] and assemble it on the supplied new top plate.
3. Place the Exhaust-Hood [1] on top of the TDR with the Exhaust-Hood exhaust direct above the TDR control section. Take care of the wiring connected to the bottom of the hood! (only USA models).
4. Secure the Exhaust-Hood with the four bolts [3] to the TDR.
5. Connect the wiring to the TDR according the electrical diagram of the TDR (only USA models).
6. Remount the side plates [4] and [5].

3.3 First use

1. Clean the interior thoroughly.
2. Place the charcoal filters (without the protective plastic bags). Refer to section 5.3.
3. Place the grease-filters. Refer to section 5.2.
4. Switch on the power.
5. Reset the pollution function (only USA models).
6. Check the correct function of the hood.

4. OPERATION AND USE

4.1 Switching on the unit

Switch on the Exhaust-Hood with the power button.

4.2 Filter position detection (USA models only)

The hood is provided with a detection on every filter. When they are not placed correctly the warning light will lit and the Rotisserie(s) below the hood will be prevented from operating.

Ensure that all filters are placed correctly.

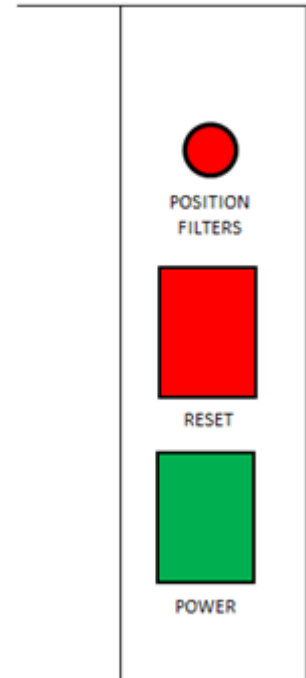
4.3 Charcoal (odor) filter pollution detection (USA models only)

The charcoal filters are monitored upon pollution. Once pollution is detected the function will be set and the Grill(s) below the hood will be prevented from operating and the reset button will lit.

Replace the charcoal filters and press the reset button to activate the function.

4.4 Switching off the unit

Switch off the Exhaust-Hood with the power button.



4.5 Warnings on the grill unit (USA models only)

When the Exhaust hood is not in correct operating condition the following messages can be shown:

4.5.1 Message hood operation

<p>Hood: not active Activate Hood</p>

1. Switch on the Exhaust Hood.
2. Press the Exhaust Hood reset button.

4.5.2 Message filter placing

<p>Error 91 Hood: Filter placing Check product</p>
--

1. Check the correct placing of the hood
Charcoal filters (5 off) and grease filters (2 off).

4.5.3 Message filter polluted

1. Replace the polluted filters.

Error 92
Hood: Filter polluted
Check product

2. Reset the filter detection.

5. CLEANING AND MAINTENANCE



WARNING

Appliance must be disconnected from the power supply during cleaning or maintenance and when replacing parts.



WARNING

Never use a water hose for cleaning. Water can seep into the unit through the ventilation holes of the unit.



Because of hygiene aspects and optimum condition of the unit it is of utmost importance to keep a daily cleaning pattern from first use onwards.

5.1 Maintenance schedule

Item	Action	Frequency
Exterior	<ul style="list-style-type: none"> • Clean, see section 5.2 • Use Stainless Steel cleaning spray to remove stains, and restoring the gloss. 	Weekly
Grease-filters	<ul style="list-style-type: none"> • Clean, see section 5.2 	Weekly
Charcoal (odor) filters	<ul style="list-style-type: none"> • Replace, see section 5.3 	Semi annual

5.2 Weekly maintenance



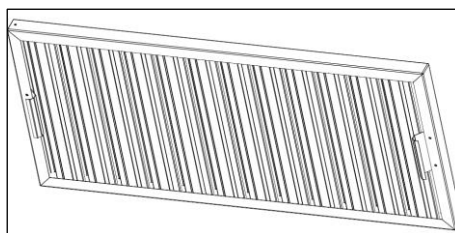
WARNING

Do not use aggressive or abrasive materials. These will damage the surface which will make it more difficult to remove dirt.

The exterior:

1. Clean the exterior with cleaning agent or hot water combined with an appropriate cleaning agent.
2. Dry the exterior thoroughly by using a dry cloth.

Clean the Grease-filters:



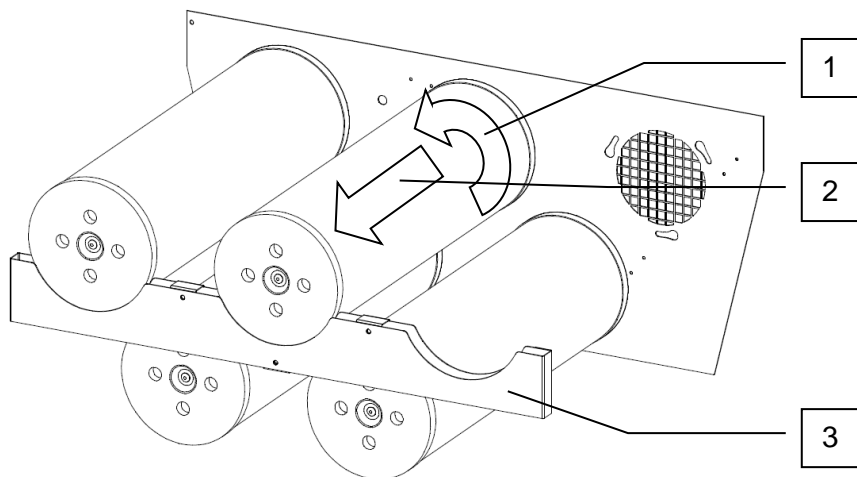
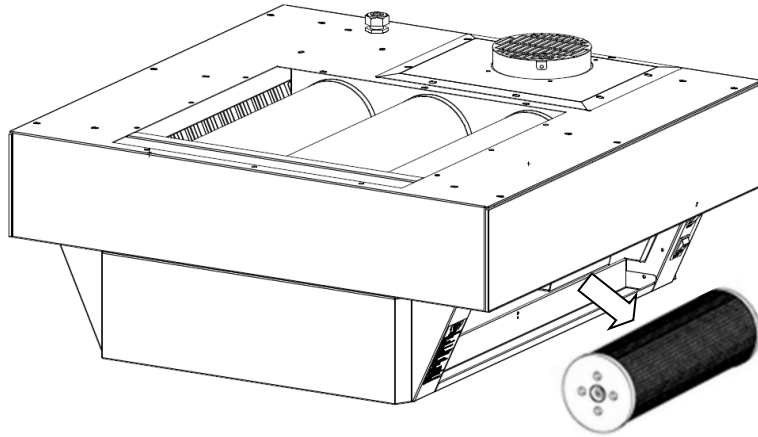
1. Switch off the unit.
2. Remove the grease-filters by moving the metal housing upwards and pull the bottom section out of the Exhaust-Hood.
3. Clean the filters with cleaning agent or hot water combined with an appropriate cleaning agent. Let the filters to dry.
4. Reassemble the grease-filters in reverse order.
5. Switch on the unit.
6. Press the reset button (Only USA models).

5.3 Semi-annual maintenance

Exchange the charcoal filters:



Use only original filters.



1. Switch off the unit.
2. Remove first the grease filters, refer to section 5.2.
3. Remove the charcoal filters. Unlock the charcoal filters by turn them counter clockwise.
4. Remove the support bracket [3] (type 8 only).
5. Place new charcoal filters in reverse order.
6. Replace the grease filters.
7. Switch on the unit.
8. Press the reset button (USA models only).

6. MALFUNCTIONS AND SERVICE

Before you contact your supplier/dealer in case of a malfunction, there are some items you can check yourself:

- Is the power supply working properly?
- Check fuses and differential switch.

Item	Malfunction	Possible action
Fan	Fan not spinning	<ul style="list-style-type: none"> • Switch on the unit • Check fuses and/or the differential switch • Check the fan, see section 6.1
Lamp filter position illuminated (*)	One or more filters not placed correctly	<ul style="list-style-type: none"> • Verify the position of all charcoal and grease filters
Reset button illuminated (*)	Charcoal filter detection disabled.	<ul style="list-style-type: none"> • Press the reset button • Replace the charcoal filters and press the reset button
Rotisserie does not operate (*)	Hood filters not placed correctly and or charcoal filters pollution detection deactivated	<ul style="list-style-type: none"> • Ensure correct placing of the filters (lamp position is off) • Press the reset button
Mains cord	Damaged	<ul style="list-style-type: none"> • Replace, see section 6.2

(*) USA models only.

6.1 Check the fan



WARNING

Remove the power plug from the wall socket.

1. Switch off the unit.
2. Remove the power plug from the wall socket.
3. Remove fan plate on top of the Exhaust-Hood.
4. Check what's blocking the fan blade.

6.2 Replacing the mains cord



WARNING

Hazardous electrical voltage.

If the mains cord is damaged, it must be replaced by the manufacturer, his service agent or a similarly qualified person in order to avoid hazards.

7. TECHNICAL SPECIFICATIONS


WARNING

Consult the identification plate to get the proper specifications of the unit.
The electrical data may vary from country to country.

European Models

Model	Type 5	Type 5 AC	Type 8	Type 8 AC	Type 8L AC
Dimensions					
- Width	835 mm	885 mm	995 mm	1045 mm	1285 mm
- Depth	855 mm	930 mm	970 mm	1080 mm	1080 mm
- Height	375 mm	375 mm	375 mm	375 mm	375 mm
Weight					
- Gross	85 kg	95 kg	97 kg	105 kg	125 kg
- Net	72 kg	77 kg	77 kg	85 kg	90 kg
Maximum ambient temperature	35 °C	35 °C	35 °C	35 °C	35 °C
Sound pressure	< 70 dB(A)	< 70 dB(A)	< 70 dB(A)	< 70 dB(A)	< 70 dB(A)
Electrical installation					
- Voltage	1N~ 230 V	1N~ 230 V	1N~ 230 V	1N~ 230 V	1N~ 230 V
- Frequency	50/60 Hz	50/60 Hz	50/60 Hz	50/60 Hz	50/60 Hz
- Required power	0.4 kW	0.4 kW	0.4 kW	0.4 kW	0.4 kW
- Max. nom. current	1.5/1.7 A	1.5/1.7 A	1.5/1.7 A	1.5/1.7 A	1.5/1.7 A
Plug ¹	Schuko 16 A	Schuko 16 A	Schuko 16 A	Schuko 16 A	Schuko 16 A
Length of power cable	2,20 m	2,20 m	2,20 m	2,20 m	2,20 m

American Models

Model	Type 5	Type 8	Type 8 AC	Type 8L AC
Dimensions				
- Width	33 inch	39 inch	41 inch	51 inch
- Depth	34 inch	38 inch	43 inch	43 inch
- Height	15 inch	15 inch	15 inch	15 inch
Weight				
- Gross	187 lbs	214 lbs	231 lbs	276 lbs
- Net	159 lbs	170 lbs	187 lbs	198 lbs
Maximum ambient temperature	95 °F	95 °F	95 °F	95 °F
Sound pressure	< 70 dB(A)	< 70 dB(A)	< 70 dB(A)	< 70 dB(A)
Electrical installation				
- Voltage	1~ 208 V	1~ 208 V	1~ 208 V	1~ 208 V
- Frequency	50/60 Hz	50/60 Hz	50/60 Hz	50/60 Hz
- Required power	0.4 kW	0.4 kW	0.4 kW	0.4 kW
- Max. nom. current	1.5/1.7 A	1.5/1.7 A	1.5/1.7 A	1.5/1.7 A
Plug	NEMA 6-15P	NEMA 6-15P	NEMA 6-15P	NEMA 6-15P
Length of power cable	75 inch	75 inch	75 inch	75 inch

¹ Depending on Country

Notes.

Notes.

Fri-Jado B.V.
Blauwhekken 2
4751 XD Oud Gastel
The Netherlands
Tel: +31 (0) 76 50 85 400

Fri-Jado Inc.
1401 Davey Road, Suite 100
Woodridge IL 60517
USA
Tel: +1-630-633-7950

www.frijado.com